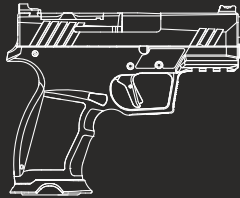


# Tisas®

[www.tisasarmsusa.com](http://www.tisasarmsusa.com)



USER MANUAL HANDLING & SAFETY INSTRUCTIONS

US

**PX-9 CARRY**

**READ THE INSTRUCTIONS AND WARNINGS IN THIS MANUAL CAREFULLY BEFORE USING THIS FIREARM;  
DO NOT DISCARD THIS MANUAL.**





## WARNING

Please read this user manual carefully before using the firearm.

Do not use this firearm until you fully understand all of the safety instructions and handling procedures.

## NOTE

Should you require further information, please call a Tisas representative at (404) 590-0851



## INDEX

GENERAL WARNINGS	4
BEFORE USING YOUR FIREARM	8
MAJOR COMPONENTS	9
OVERVIEW OF THE SAFETY MECHANISMS	10
LOADING	12
FIRING	13
UNLOADING	14
TROUBLESHOOTING	15
DISASSEMBLY & ASSEMBLY	18
CLEANING AND MAINTENANCE	22
TECHNICAL SPECIFICATIONS	24
EXPLODED DIAGRAM	25
PARTS LIST	26
WARRANTY	27

## GENERAL WARNINGS

- \*Read this user manual carefully before using the product.
- \*Do not use any firearm before reading the safety rules and maintenance instructions.
- \*Obey the laws in your country referring to firearms purchasing, carrying and use.

All firearms are dangerous. Tisas is not responsible for any damage that results from the improper use of your firearm.

## ESSENTIAL FIREARM SAFETY GUIDELINES

These firearm safety guidelines have been prepared by Tisas, based upon currently available information. They are provided to you as a courtesy and in the interest of furthering safety. These guidelines are not comprehensive, nor do they modify or replace rules, recommendations, standards, or regulations made by legal authorities or manufacturers.

As a responsible firearms manufacturer, Tisas believes that no issue is more important than firearm safety. We urge you to learn and practice the following guidelines and to make them your habit when handling firearms. This will help ensure safe handling of your firearm(s) and help prevent accidents. We also encourage you to complete an approved firearms safety-training course.



## THE 3 CARDINAL FIREARMS SAFETY RULES

### 1. Always treat a firearm as if it is loaded

Even if you know the firearm is unloaded, always assume it is loaded. The first thing you should do when you receive your gun (pointed it in a safe direction) is to pull back the slide set and visually inspect the chamber to determine whether your gun is loaded or not. If you don't know how to do this, don't use your gun. Note that removing the magazine does not guarantee that the firearm is unloaded because there may be a bullet in the chamber.

### 2. Always keep your finger out of the trigger guard and off the trigger until you are ready to shoot your target

Do not place your finger inside the trigger guard until you have placed a firearm's sights on your target and have decided to fire. The best place to rest your finger in the meantime is above the trigger guard along the frame. By waiting until you are aimed at your target, if the trigger were to be pressed, you will guarantee that a shot will travel safely in the direction of your intended target.

### 3. Always point the firearm in a safe direction in front of and around your target

It is important to identify your actual target, but it is just as important to know what lies in front of and behind your target. A safe direction is any direction where an unintentional discharge or miss will not cause injury or damage. In determining a safe direction, remember that a round can ricochet off an object like a floor, water or wall, or go through walls, floors, ceilings, and windows. Whether in a house or outdoors, the safety direction is the muzzle angled down toward the floor. And never point at or cross the muzzle of a firearm (loaded or unloaded ) at any part of any person's body-the laser rule!

## **ADDITIONAL FIREARMS AND AMMUNITION RULES**

### **ALWAYS KEEP CHILDREN AND OTHERS SAFE BY STORING FIREARMS SECURE AND AWAY FROM UNAUTHORIZED PERSONS**

You should always store firearms and ammunition out of the sight and reach of children and anyone else who is not an intended user or not physically or mentally capable of handling and using them properly and safely. Store firearms in a safe storage place - ideally, one you can lock.

### **CAREFULLY READ THE ENTIRE INSTRUCTION MANUAL THAT COMES WITH YOUR FIREARM**

You should only use a firearm if you fully understand how to safely operate it. All firearms come with an instruction manual created by the manufacturer. If the firearm does not come with an instruction manual, contact the manufacturer directly and request one.

### **ALWAYS MAKE SURE YOUR GUN IS OPERATING SAFELY**

Before shooting, make sure the firearm is in good your gun is working order, that the barrel is clear, and that the firearm is safe to operate. This is especially important when handling a firearm that has been stored or unused for a long period of time.

### **ALWAYS USE CORRECT AMMUNITION**

Never use improper or, incorrect ammunition. Only use ammunition that is recommended by the firearm manufacturer the caliber of your firearm. Most firearms have the caliber engraved or stamped on the barrel. Your ammunition should have the exact same caliber. Additionally, it voids your warranty.



### **WHEN CLEANING THE FIREARM, MAKE SURE IT IS NOT LOADED**

One of the most common statements following an accidental discharge is: "I was cleaning the firearm and it went off!" When you clean a firearm, make sure it is not loaded. You should keep the ammunition in another room until you have finished cleaning the firearm and are ready to reload.

### **NEVER USE A FIREARM WHILE USING DRUGS OR ALCOHOL**

When you handle firearms, your judgment must not be impaired. You should never handle firearms while under the influence of alcohol, illegal drugs, or while using legal prescription medication that can make you tired or affect your senses, reflexes, or judgment.

### **USE EYE AND EAR PROTECTION**

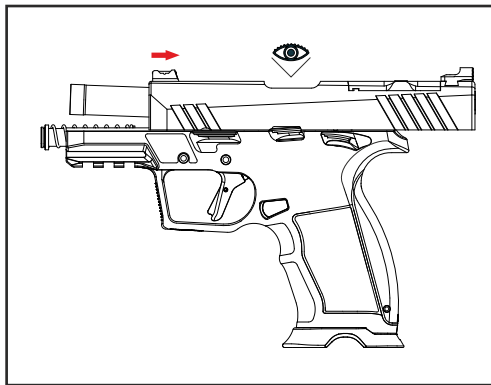
Always wear proper eye and ear protection while shooting firearms, ear protection will help prevent hearing loss from the extreme decibel level of gun fire, and eye protection will help prevent ejection gases, ricocheted objects, casings, or any foreign objects from damaging your eyes. Be smart, be safe.

## BEFORE USING YOUR PISTOL

Your TISAS firearm is semi-automatic, and single action.

Your TISAS firearm can fire even without a magazine inserted. For that reason, ejecting the magazine or inserting an empty magazine does not make your firearm safe. Rather, to ensure your firearm is safe, you must eject the magazine, empty the chamber, and then visually inspect the chamber to ensure no cartridge or other obstruction is present.

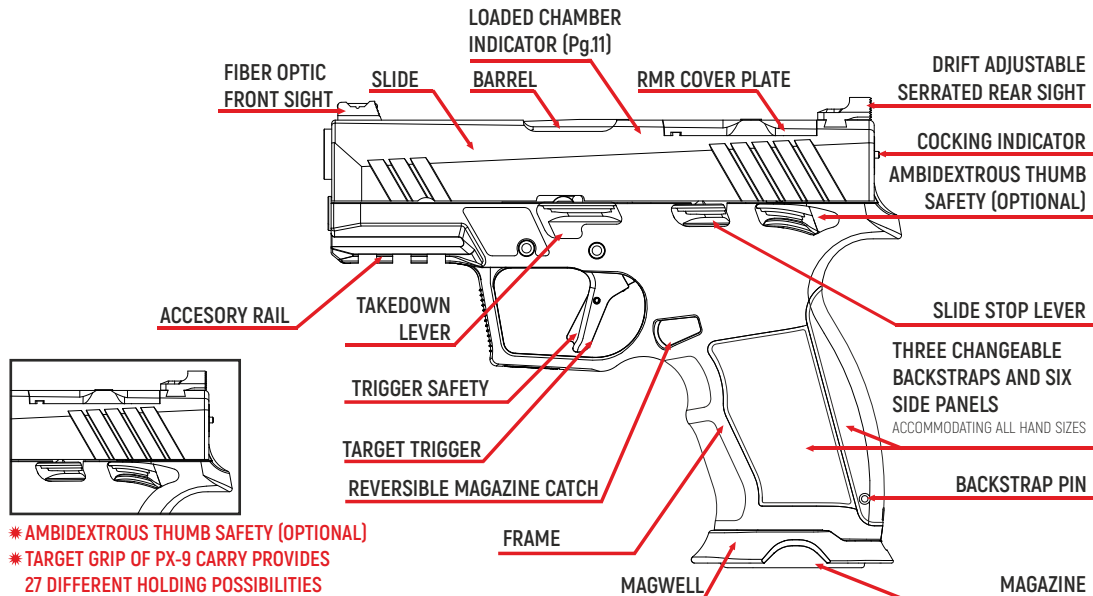
Possess, carry and use your firearm in accordance with all relevant local, state, and federal laws. If you purchased this firearm secondhand, have it checked by a qualified armorer or gunsmith to ensure it is safe to operate.



### **⚠ ATTENTION**

Keep your firearm in a safe to operate place where children cannot access it. Always store your firearm unloaded and store the key to the lock separately from the ammunition.

# MAJOR COMPONENTS

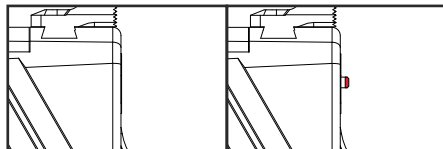


## OVERVIEW OF SECURITY MECHANISMS

Your PX-9 CARRY gun has a striker status indicator behind the cover. When you make your gun ready to fire, the firing pin status indicator sticks out behind the slide. Thus, you can check whether the gun is cocked by seeing the red dot on the striker status indicator and feeling it manually with your finger at night.

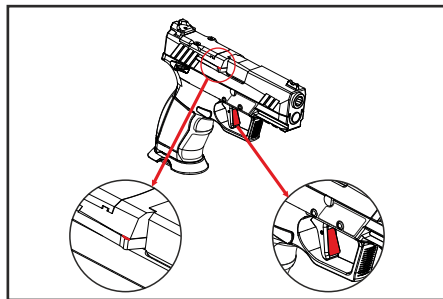
Your PX-9 CARRY gun has a loaded chamber indicator. The red indicator on the tab allows you to observe whether the cartridge is in the chamber or not. When the cartridge is in the chamber, the indicator (ejector) moves outward. You can check this by seeing the red dot on the ejector during the day and feeling it manually with your finger at night.

The trigger safety blocks the backward movement of the trigger mechanism, preventing your gun from accidentally firing in case of impact or dropping. It also ensures that the trigger stand still unless the trigger mechanism is pulled back. Since the trigger bar cannot pull the striker safety lever, the sear remains still and the cocked striker does not move.



NOT COCKED

COCKED

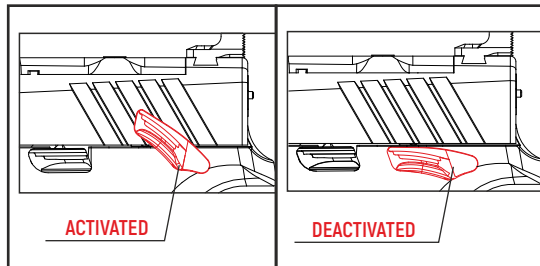


### ⚠ ATTENTION

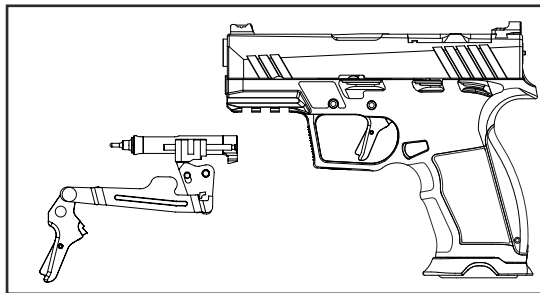
The cocking indicator does not always mean that the firearm is loaded. However, when the pin is out, treat as if it is loaded.



Your PX-9 CARRY pistol is equipped with a right and left handed (bi-directional) safety catch. The safety lock is activated by pressing upwards. When activated, the firing mechanism is blocked and the gun cant fire.



Your PX-9 CARRY gun is equipped with a striker safety block. The striker safety block prevents the striker from moving forward unless the trigger is pressed. Additionally, while your gun is ready to fire, it blocks the striker even if the user is subjected to hard impacts against his/her will (such as your gun falling to the ground).



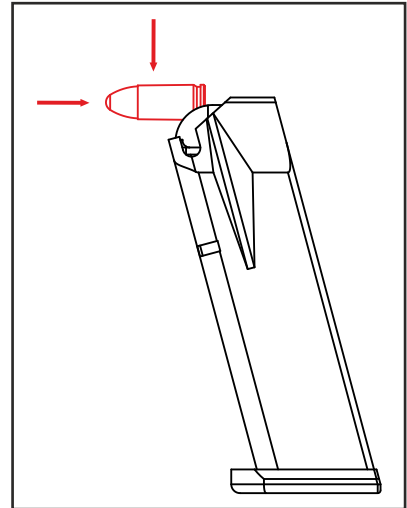
## LOADING

After making sure that your pistol is clean, and that the ammunition is clean, dry and of the correct caliber and type, hold the magazine with one hand and insert ammunition cartridges into the magazine with the other hand until the magazine is fully loaded.

Insert the magazine into the pistol, then retract the slide and release it. At this point, the chamber is loaded and your pistol is ready to fire.

### ATTENTION

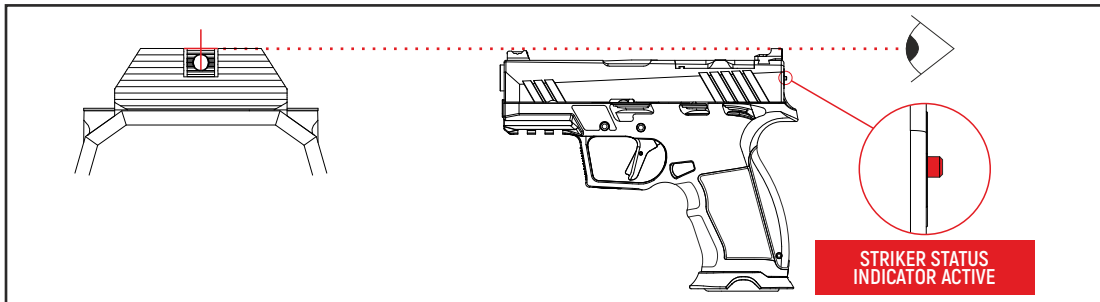
Always keep your finger off the trigger while loading your firearm, and always point the barrel in a safe direction.





## FIRING

- \*Aim your gun at your intended target and take the appropriate shooting position.
- \*Fix the gun exactly at the target point, at front sight level.
- \*When you are ready to shoot, place your finger on the trigger and pull the trigger slowly. The gun will fire that cartridge and then be ready to fire the next cartridge.
- \*To fire the next cartridge, pull the trigger again and repeat this process until you want to stop firing or until the ammunition runs out.



### ⚠ IMPORTANT

If you are untrained or inexperienced, and have a misfire, a malfunction, or in the event the firearm stops firing before the magazine is empty, unload the firearm and utilize the assistance of a qualified firearms instructor before attempting to operate your Tisas firearm.

## UNLOADING

When the last cartridge in the magazine is fired, the slide locks in its retracted position.

To re-place the slide:

- \* Point the barrel in a safe direction.
- \* Remove the magazine by pressing the magazine release button.
- \* While the slide is in retracted position set back, visually inspect the chamber to make sure it is empty.
- \* By pressing down on the slide stop or pulling the slide slightly backwards, release the slide from the slide stop and slowly release it forward.

If you want to unload the cartridges in the magazine before it runs out, while the slide is in the forward position or the firing pin in the cocked position:

- \* Point the barrel in a safe direction and keep your finger away from the trigger.
- \* Remove the magazine by pressing the magazine release button.
- \* Pull the slide back again and ensure that ammunition comes out of the chamber.
- \* Slowly release the slide to its forward position.

### ATTENTION

Never touch the trigger when loading or unloading the firearm. To ensure the chamber is empty, remove the magazine and then visually inspect the chamber by pulling the slide backwards.



## TROUBLESHOOTING

### IMPORTANT

To ensure your gun is unloaded, point the barrel in a safe direction, remove the magazine and then visually inspect the barrel chamber by pulling back the slide.

Slide will not lock forward in to battery:

- \* Do not attempt to manually force the slide into battery.
- \* Point your barrel in a safe direction.
- \* Eject the magazine.
- \* Retract the slide to facilitate extraction and ejection of the chambered cartridge.
- \* If the cartridge does not extract and eject, lock the slide in its retracted position.
- \* Inspect the cartridge and carefully attempt manual extraction/ejection. If the cartridge cannot be extracted/ejected, seek the assistance of a qualified armorer or gunsmith.

### ATTENTION

If a bullet is in the barrel, never attempt to shoot it out by using another round. This can generate high pressure, damage the pistol and cause serious injury.

### Unable to fire due to ammunition:

- \* If the slide is not pushed back far enough, the empty cartridge case may not be ejected or the bullet may not be fed.
- \* Stop shooting immediately.
- \* Discharge your weapon safely. Retract the slide and lock it from behind.
  
- \* Check both the barrel and chamber to determine if there is a malfunction.
- \* The low pressure ammunition in the barrel may not have left the barrel, but may have gotten stuck and blocked the barrel. Do not fire the second bullet as soon as you hear the sound of the low-pressure bullet. Therefore, point your gun in a safe direction. Visually inspect the inside of the barrel to verify that the bullet has left the barrel. Firing the second cartridge before the bullet leaves the barrel may disable your barrel and weapon, and may also harm the shooter during the shot. Perform this check following the safety rules for discharging the gun.
- \* If ammunition is not ejected or cannot be removed, lock the slide in the retracted position.
- \* Inspect the cartridge and carefully attempt manual extraction/ejection. If the cartridge cannot be extracted/ejected, seek the assistance of a qualified armorer or gunsmith.

### IMPORTANT

If there is an obstruction in the barrel chamber and/or barrel and you continue shooting, this may result in damage to your firearm, physical injuries, and even death to the user and/or third parties. TISAS is absolutely not responsible for any direct and/or indirect damages that may occur due to this and similar wrong and erroneous practices of the users. Additionally, this voids the warranty given to the product.



### **Troubleshooting other malfunctions:**

- \* Replace any damaged magazines or ammunition cartridges.
- \* Inspect and clean the chamber. Clean the magazine.
- \* Clean the thumb safety selector and the cartridge ramp.
- \* If after taking these steps your pistol continues to malfunction, obtain assistance from a qualified armorer or gunsmith.

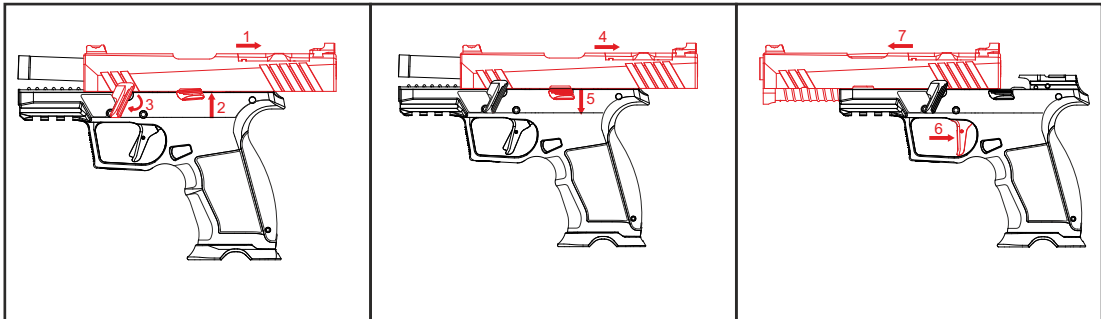
### **ATTENTION**

Carry out all troubleshooting operations in a safe location with the firearm pointed in a safe direction.

## DISASSEMBLY AND ASSEMBLY

### DISASSEMBLY

- \* Point the barrel in a safe direction and remove the magazine.
- \* Pull the slide to the rear and visually inspect the chamber to confirm that it is empty.
- \* Slightly push the slide backwards and rotate the slide stop up.
- \* Rotate the disassembly lever clockwise.
- \* Firmly grip the slide, pull it slightly to the rear and allow it to slowly move forward.





- \*Pull and release the trigger.
- \*Move the slide forward and remove it.

## NOTE

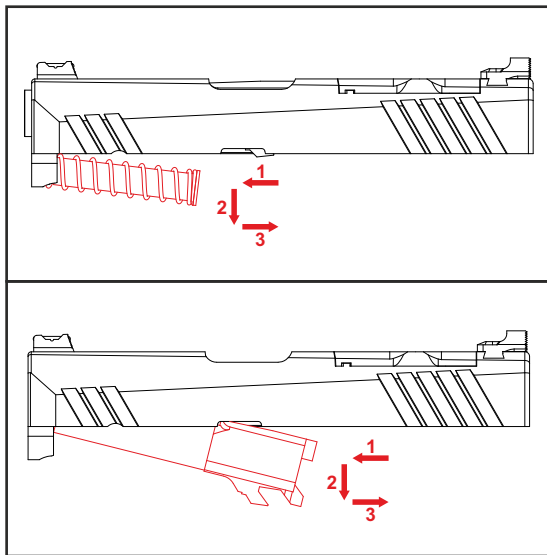
Keep your hand on recoil spring as it is under pressure. If you lose your grip, the spring may eject and could lead to injury.

## ASSEMBLY

- \*Follow the steps for disassembly in reverse order.
- \*Remember to secure your firearm.

## ⚠ WARNING

Use appropriate personal protective equipment during assembly-disassembly.

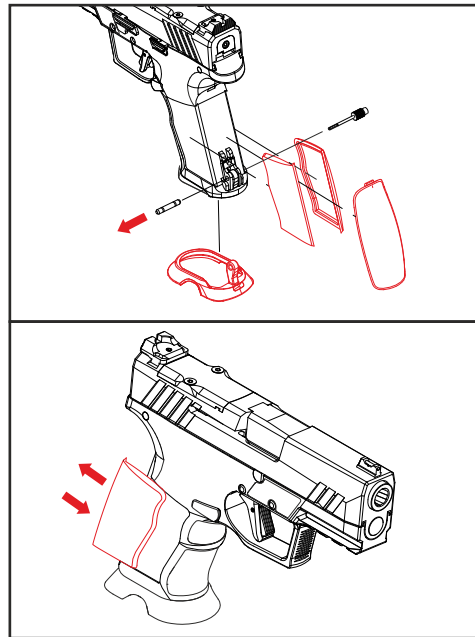


## Installation of the back Backstrap and Grip Panels

1. Using a  $\varnothing 2.4\text{mm}$  pin punch, remove the pin (disassembly punch) holding the backstrap in position. Choose the combination of backstrap and grip panels that provide the panels the most comfortable fit for the operator.
2. Install the two grooves on the inside of each grip panel onto the corresponding tongues located on the outside of the frame and push the panels forward until they seat flush into the frame.
3. Seat the backstrap on to the back of the frame and push upwards until the mounting surface for the disassembly punch on the backstrap aligns with the mounting surface for the disassembly punch on the frame.
4. Drift the disassembly punch into position and capture the backstrap to the frame using the pin punch. Follow the steps for disassembly in reverse order.

### Assembly

Follow the steps for disassembly in reverse order.





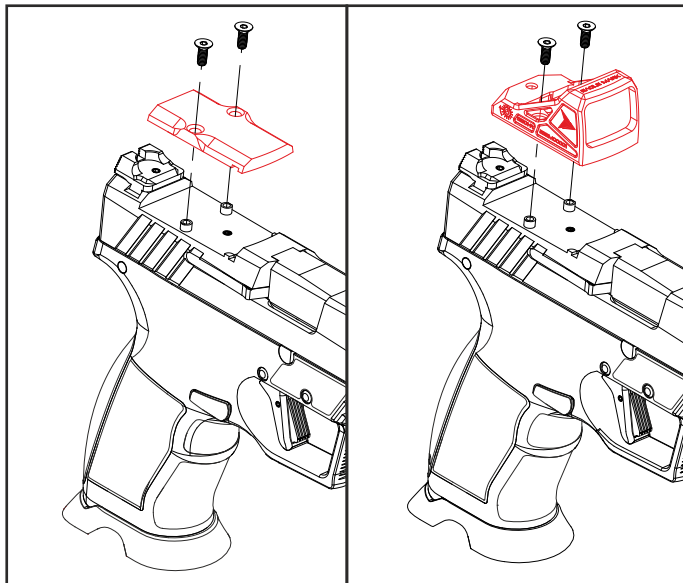
## Assemble The Red Dot Sight

Required auxiliary materials: Torque wrench 2 - 10 Nm or screw bit 2 mm.

1. Adjust torque wrench.
2. Loosen screws and remove.
3. Remove slide plate.
4. Insert red dot in slide.
5. Insert screws in the red dot sight.
6. Tighten screws until the torque is reached.

## Assembly

Follow the steps for disassembly in reverse

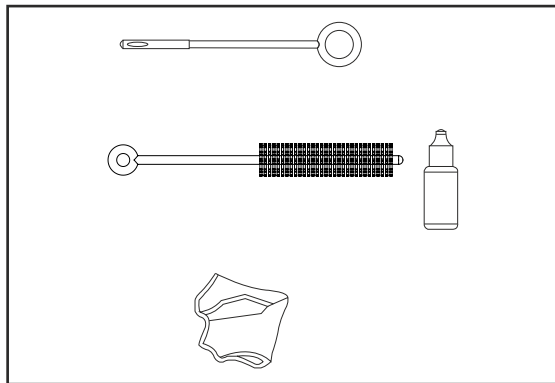


## CLEANING AND MAINTENANCE

To ensure that your gun is always ready to fire and has a long life, follow the rules below and maintain it after each shot, whenever you feel it is affected by external factors such as moisture or dust, or once a month.

Materials required for cleaning:

- \* Cleaning cloth
- \* Gun oil
- \* Brush
- \* Ramrod

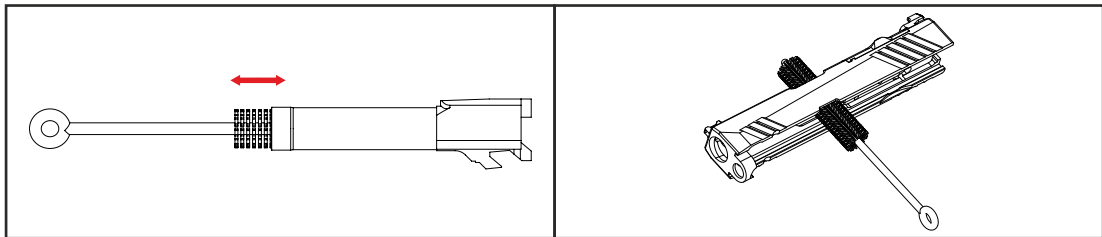


### WARNING

Use appropriate personal protective equipment when cleaning and never use solvents.



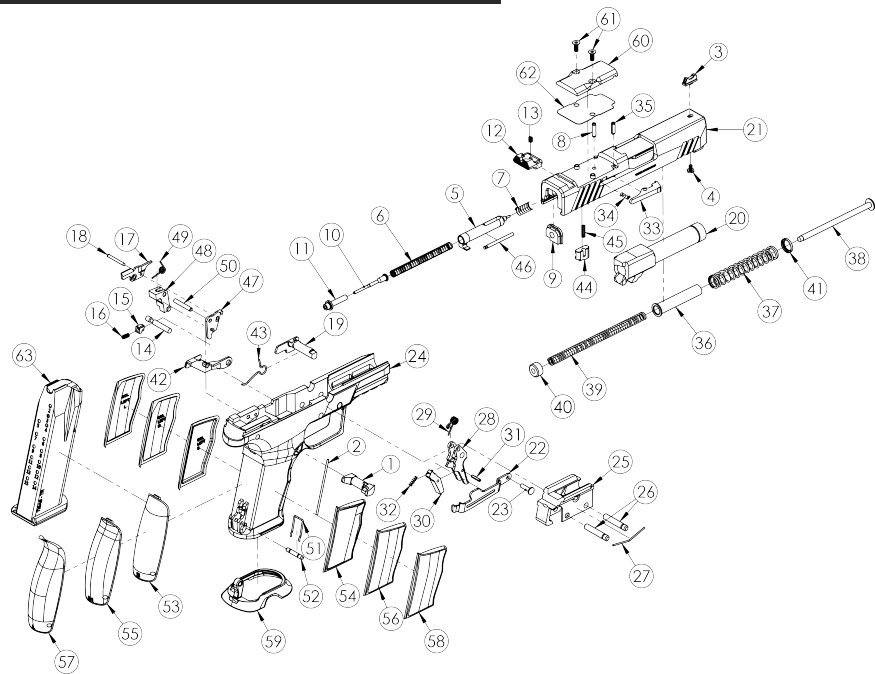
- \* Remove the magazine.
- \* Point the barrel in a safe direction and make sure your gun is unloaded.
- \* Disassemble the gun.
- \* Wipe dirty surfaces, parts, slide channels and the inside of the barrel with cleaning oil using a brush.
- \* Do not use a brush from both ends of the barrel, clean only from the end of the chamber.
- \* Do not rotate the brush left and right in the barrel, use it linearly.
- \* Lightly lubricate all external and internal parts with gun oil.
- \* Dry the inside of the barrel with a clean cloth.
- \* Dry the outer surfaces of the gun with a clean cloth.
- \* Remove excess oil from the internal working parts of the gun.
- \* Reassemble the gun.



## TECHNICAL SPECIFICATIONS

CALIBER	9x19 mm
MAGAZINE CAPACITY	15 or 17 rounds
BARREL LENGTH	3.5"
LENGTH	6.6"
HEIGHT	5.35"
WEIGHT (WITH EMPTY MAGAZINE)	25.90 oz.
WIDTH	1.33"
ACTION TYPE	SA
FIRING SYSTEM	Semi - Auto Striker
SAFETY SYSTEMS	Firing Pin Block, Ambidextrous Thumb Safety
FEATURES	Reversible Magazine Catch, Accessory Rail, Three changeable backstraps and six side panels (ACCOMMODATING ALL HAND SIZES)
OPTIONAL ITEM	IWB Holster, Magazine Loader

# EXPLODED DIAGRAM



## PX-9 CARRY PART LIST

<b>NO.</b>	<b>CODE</b>	<b>PART DESCRIPTION</b>	<b>NO.</b>	<b>CODE</b>	<b>PART DESCRIPTION</b>
1	PX9C-1	MAGAZINE CATCH	35	PX9-47.03	EXTRACTOR PIN
2	PX9-1.01	MAGAZINE CATCH SPRING	36	PX9C-54	RECOIL SPRING GUIDE CONNECTOR
3	PX9-3	FRONT SIGHT (FIBER OPTIC)	37	PX9C-54.01	RECOIL SPRING GUIDE CONNECTOR SPRING
4	PX9-3.01	FRONT SIGHT SCREW	38	PX9C-55	RECOIL SPRING GUIDE
5	PX9-11	STRIKER	39	PX9C-55.01	RECOIL SPRING
6	P9L-11.01	STRIKER SPRING	40	PX9C-55.02	RECOIL SPRING GUIDE BUSHING
7	PX9-11.02	STRIKER DAMPENING SPRING	41	PX9C-55.03	RECOIL SPRING BUSHING
8	PX9-47.03	STRIKER RETAINER PIN	42	PX9C-56	SLIDE STOP
9	PX7-13	STRIKER LOCKING PLATE	43	PX9C-56.01	SLIDE STOP SPRING
10	PX9-15	STRIKER STATUS INDICATOR	44	PX9-67	STRIKER SAFETY BLOCK
11	PX9-15.01	STRIKER SPRING GUIDE	45	PX9-67.01	STRIKER SAFETY BLOCK SPRING
12	PX9-16	DRIFT ADJUSTABLE REAR SIGHT	46	PX9-67.02	STRIKER SAFETY BLOCK PIN
13	BRV-16a	REAR SIGHT SCREW	47	PX9-70	STRIKER SAFETY LEVER
14	PX9-17	THUMB SAFETY RELEASE PIN	48	PX9-71	SEAR
15	PX9-18a.02	SAFETY LOCK PLUNGER, LEFT	49	PX9-71.01	SEAR SPRING
16	TK1-18.01	SAFETY LOCK PLUNGER SPRING LEFT	50	PX9-71.02	SEAR PIN
17	PX9-24	EJECTOR	51	PX9-72.02	BACKSTRAPS PIN SPRING
18	PX9-24.01	EJECTOR PIN	52	PX9-72.03	BACKSTRAPS PIN
19	PX9C-28	TAKE-DOWN LEVER	53	PX9C-72	BACKSTRAPS (S)
20	PX9C-31	BARREL	54	PX9C-72.01	GRIP PANEL, LEFT AND RIGHT (S)
21	PX9C-32	SLIDE	55	PX9C-73	BACKSTRAPS (M)
22	PX9-33	TRIGGER BAR	56	PX9C-73.01	GRIP PANEL, LEFT AND RIGHT (M)
23	PX9-33.01	TRIGGER BAR PIN	57	PX9-74	BACKSTRAPS (L)
24	PX9C-40	FRAME	58	PX9C-74.01	GRIP PANEL, LEFT AND RIGHT (L)
25	PX9C-40.01	LOCKING BLOCK	59	PX9C-75	MAGWELL
26	PX9C-40.02	LOCKING BLOCK PIN AND TRIGGER PIN	60	PX9-76	RMR COVER PLATE
27	PX9C-40.03	LOCKING BLOCK PIN SPRING	61	PX9-76.01	RMR COVER PLATE SCREW (X2)
28	PX9-42	TACTICAL TRIGGER	62	PX9-76.03	REDDOT SHEET
29	PX9-42.01	TRIGGER SPRING	63	ZIG P228	MAGAZINE ASSEMBLY
30	PX9-42.a	TRIGGER SAFETY	64	PX9-18	SAFETY LOCKRIGHT (OPTIONAL)
31	PX9-42a.01	TRIGGER SAFETY PIN	65	PX9-18.02	SAFETY LOCK PLUNGER, LEFT AND RIGHT(OPTIONAL)
32	PX9-42a.02	TRIGGER SAFETY SPRING	66	PX9-18a	SAFETY LOCK PLATE, LEFT (OPTIONAL)
33	PX9-47	EXTRACTOR	67	PX9-18a.03	SAFETY LOCK PLATE, LEFT (OPTIONAL)
34	ZS-47.01	EXTRACTOR SPRING			



## WARRANTY

At Tisas, we believe in the quality of our firearms, and we want you to as well.

Age and wear cannot be covered under warranty, as the mechanical parts and materials that make up firearms eventually wear out. However, defective parts, materials, and workmanship are not acceptable, and we will stand behind our products. We warrant our firearms to be free from defects in performance and workmanship for five year from the date of purchase. If you have a problem that is directly attributable to the quality of our product, it's on us to make it right, shipping and handling included. However, if you abuse, improperly maintain, or alter the internal workings of your Tisas firearm in any way, we will not warranty damage that occurs. Likewise, if you use improper or incompatible ammunition or parts, we will not warranty damage that occurs. That includes altering a serial number.

If you have a problem with your firearm, please contact Tisas directly at (404) 590-0851 or [help@tisasarmsusa.com](mailto:help@tisasarmsusa.com)

### **RETURN WITHOUT REPAIR**

If we receive your firearm and determine that its damage is unwarrantable, we will contact you with an explanation and an estimation of your cost to have us repair or refurbish it. If you would rather we simply return your firearm to you, we will cover the cost of shipping to do so.

**FREE REPAIR AND RETURN** If your firearm is defective and we determine the defect is warrantied, Tisas will try to repair it. If we repair your firearm, after doing so we will ship it directly back to you, provided you originally shipped it to us from your address. If your firearm cannot be repaired, we will consider replacing it.

### **LIMITATIONS ON WARRANTY**

OUR ONLY RESPONSIBILITY IN THE CASE OF BREACH OF WARRANTY IS REPAIR. TISAS SHALL NOT BE LIABLE FOR ANY OTHER DAMAGES, INCLUDING DIRECT, INDIRECT, OR CONSEQUENTIAL DAMAGES.

PLEASE NOTE: This warranty gives you specific legal rights, and you may also have other rights, which vary from state to state, as some jurisdictions do not allow limitations on certain damages and warranties.

Tisas stands behind the quality of our firearms. While age and wear cannot be covered under warranty, we believe defective parts, materials, and workmanship to be an unacceptable situation. We warrant our firearms to be free from defects in performance and workmanship for one year from the original retail purchase date. If you have a problem that is directly attributable to the quality of our product, we will make it right to include shipping and handling. The Tisas warranty does not cover any issues related to abuse, improper maintenance, the use of incompatible aftermarket parts or any alteration of the internal components. Likewise, damage caused by the use of improper or incompatible ammunition such as reloaded or other non-SAAMI spec ammunition will also void your warranty. Additionally, sales outside of the United States, unauthorized repair, and modifications to the firearm to include altering a serial number, shall not be covered under warranty.

#### **Tisas Lifetime Service Plan**

Tisas is committed to supporting our customers with services that are above and beyond what is expected. Beyond our 1-year warranty, our Lifetime Service Plan will repair any defect in material or workmanship for the lifetime of the firearm. The Tisas Lifetime Service Plan will begin after the 1-year warranty has expired. The Lifetime Service Plan covers material defects; and does not include wear items such as cosmetics, grips, magazines, recoil springs or sights. This Lifetime Service Plan is offered in addition to the 1-year warranty and is not an extension of the warranty.

#### **IMPORTANT WARRANTY INFORMATION**

Tisas pistols are warranted to function with factory produced, SAAMI spec ammunition and the original factory magazine. The use of handloads will void your warranty and the Lifetime Service Plan.

If you do experience a warranty issue, before sending your firearm please contact us at

[help@tisasarmsusa.com](mailto:help@tisasarmsusa.com) or via phone (404) 590-0851 for a Return Merchandise Authorization number, No firearms will be accepted without pre-approval and completion of this Return Merchandise Authorization.



## NOTES

A series of ten horizontal dotted lines spanning the width of the page, providing a template for handwritten notes.



UPDATED - 2026/03  
© ALL RIGHTS RESERVED



2410 Satellite Blvd. NE, suite D Buford, GA 30518  
(404) 590-0851