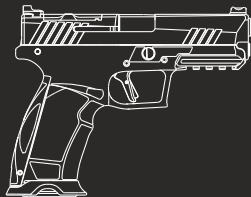


Tisas®

www.tisasarmsusa.com



USER MANUAL HANDLING & SAFETY INSTRUCTIONS

US

PX-9 GEN3

**READ THE INSTRUCTIONS AND WARNINGS IN THIS MANUAL CAREFULLY BEFORE USING THIS FIREARM;
DO NOT DISCARD THIS MANUAL.**





WARNING

Please read this user manual carefully before using the firearm.

Do not use this firearm until you fully understand all of the safety instructions and handling procedures.

NOTE

Should you require further information, please call a Tisas representative at (404) 590-0851



INDEX

GENERAL WARNINGS _____	4
BEFORE USING YOUR FIREARM _____	8
MAJOR COMPONENTS _____	9
OVERVIEW OF THE SAFETY MECHANISMS _____	10
LOADING _____	12
FIRING _____	13
UNLOADING _____	14
TROUBLESHOOTING _____	15
DISASSEMBLY & ASSEMBLY _____	18
CLEANING AND MAINTENANCE _____	22
TECHNICAL SPECIFICATIONS _____	24
PARTS LIST (PX9-GEN3) _____	25
EXPLODED DIAGRAM (PX9-GEN3) _____	26
PARTS LIST (PX9-GEN3 TH) _____	27
EXPLODED DIAGRAM (PX9-GEN3 TH) _____	28
WARRANT _____	29

GENERAL WARNINGS

- *Read this user manual carefully before using the product.
- *Do not use any firearm before reading the safety rules and maintenance instructions.
- *Obey the laws in your country referring to firearms purchasing, carrying and use.

All firearms are dangerous. Tisas is not responsible for any damage that results from the improper use of your firearm.

ESSENTIAL FIREARM SAFETY GUIDELINES

These firearm safety guidelines have been prepared by Tisas, based upon currently available information. They are provided to you as a courtesy and in the interest of furthering safety. These guidelines are not comprehensive, nor do they modify or replace rules, recommendations, standards, or regulations made by legal authorities or manufacturers.

As a responsible firearms manufacturer, Tisas believes that no issue is more important than firearm safety. We urge you to learn and practice the following guidelines and to make them your habit when handling firearms. This will help ensure safe handling of your firearm(s) and help prevent accidents. We also encourage you to complete an approved firearms safety-training course.



THE 3 CARDINAL FIREARMS SAFETY RULES

1. Always treat a firearm as if it is loaded

Even if you know the firearm is unloaded, always assume it is loaded. The first thing you should do when you receive your gun (pointed it in a safe direction) is to pull back the slide set and visually inspect the chamber to determine whether your gun is loaded or not. If you don't know how to do this, don't use your gun. Note that removing the magazine does not guarantee that the firearm is unloaded because there may be a bullet in the chamber.

2. Always keep your finger out of the trigger guard and off the trigger until you are ready to shoot your target

Do not place your finger inside the trigger guard until you have placed a firearm's sights on your target and have decided to fire. The best place to rest your finger in the meantime is above the trigger guard along the frame. By waiting until you are aimed at your target, if the trigger were to be pressed, you will guarantee that a shot will travel safety in the direction of your intended target.

3. Always point the firearm in a safe direction in front of and around your target

It is important to identify your actual target, but it is just as important to know what lies in front of and behind your target. A safe direction is any direction where an unintentional discharge or miss will not cause injury or damage. In determining a safe direction, remember that a round can ricochet off an object like a floor, water or wall, or go through walls, floors, ceilings, and windows. Whether in a house or outdoors, the safety direction is the muzzle angled down toward the floor. And never point at or cross the muzzle of a firearm (loaded or unloaded) at any part of any person's body-the laser rule!

ADDITIONAL FIREARMS AND AMMUNITION RULES

ALWAYS KEEP CHILDREN AND OTHERS SAFE BY STORING FIREARMS SECURE AND AWAY FROM UNAUTHORIZED PERSONS

You should always store firearms and ammunition out of the sight and reach of children and anyone else who is not an intended user or not physically or mentally capable of handling and using them properly and safely. Store firearms in a safe storage place - ideally, one you can lock.

CAREFULLY READ THE ENTIRE INSTRUCTION MANUAL THAT COMES WITH YOUR FIREARM

You should only use a firearm if you fully understand how to safely operate it. All firearms come with an instruction manual created by the manufacturer. If the firearm does not come with an instruction manual, contact the manufacturer directly and request one.

ALWAYS MAKE SURE YOUR GUN IS OPERATING SAFELY

Before shooting, make sure the firearm is in good your gun is working order, that the barrel is clear, and that the firearm is safe to operate. This is especially important when handling a firearm that has been stored or unused for a long period of time.

ALWAYS USE CORRECT AMMUNITION

Never use improper or, incorrect ammunition. Only use ammunition that is recommended by the firearm manufacturer the caliber of your firearm. Most firearms have the caliber engraved or stamped on the barrel. Your ammunition should have the exact same caliber. Additionally, it voids your warranty.



WHEN CLEANING THE FIREARM, MAKE SURE IT IS NOT LOADED

One of the most common statements following an accidental discharge is: "I was cleaning the firearm and it went off!" When you clean a firearm, make sure it is not loaded. You should keep the ammunition in another room until you have finished cleaning the firearm and are ready to reload.

NEVER USE A FIREARM WHILE USING DRUGS OR ALCOHOL

When you handle firearms, your judgment must not be impaired. You should never handle firearms while under the influence of alcohol, illegal drugs or while using legal prescription medication that can make you tired or affect your senses, reflexes, or judgment.

USE EYE AND EAR PROTECTION

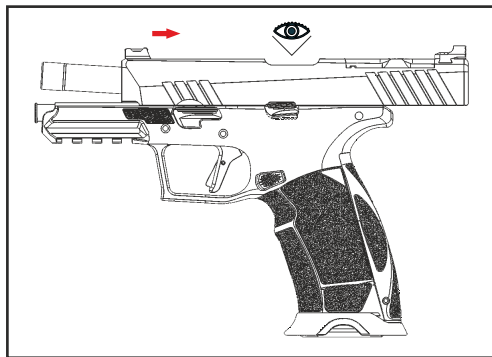
Always wear proper eye and ear protection while shooting firearms, ear protection will help prevent hearing loss from the extreme decibel level of gun fire, and eye protection will help prevent ejection gases, ricocheted objects, casings, or any foreign objects from damaging your eyes. Be smart, be safe.

BEFORE USING YOUR PISTOL

Your TISAS firearm is semi-automatic, and single action.

Your TISAS firearm can fire even without a magazine inserted. For that reason, ejecting the magazine or inserting an empty magazine does not make your firearm safe. Rather, to ensure your firearm is safe, you must eject the magazine, empty the chamber, and then visually inspect the chamber to ensure no cartridge or other obstruction is present.

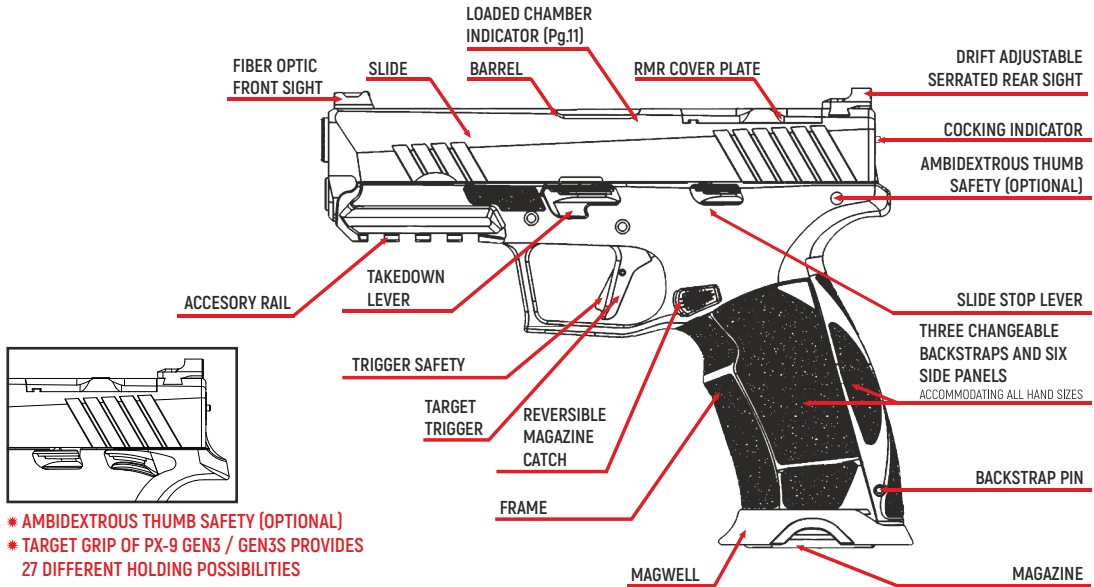
Possess, carry and use your firearm in accordance with all relevant local, state, and federal laws. If you purchased this firearm secondhand, have it checked by a qualified armorer or gunsmith to ensure it is safe to operate.



⚠ ATTENTION

Keep your firearm in a safe to operate place where children cannot access it. Always store your firearm unloaded and store the key to the lock separately from the ammunition.

MAJOR COMPONENTS

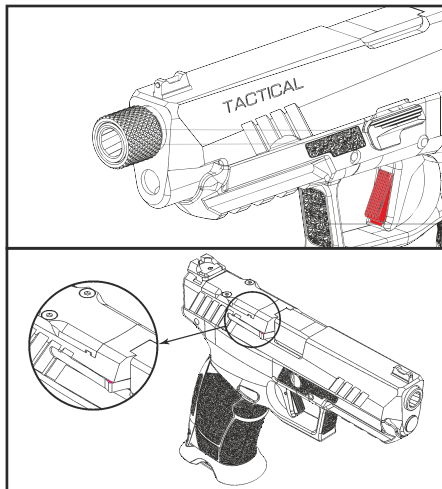


- * AMBIDEXTROUS THUMB SAFETY (OPTIONAL)
- * TARGET GRIP OF PX-9 GEN3 / GEN3S PROVIDES 27 DIFFERENT HOLDING POSSIBILITIES

OVERVIEW OF SECURITY MECHANISMS

The frame mounted trigger safety also helps prevent accidental discharge if the PX-9 is struck or dropped by blocking the rearward movement of the trigger assembly thereby immobilizing the trigger bar, unless the entire trigger is pulled back to the rear. With the trigger bar unable to press downward on the sear release catch, the catch remains upright and holds the cocked firing pin assembly in place.

Your TISAS firearm has a loaded chamber indicator. The indicator allows you to observe whether a cartridge is in the chamber or not. When a cartridge is in the chamber, the indicator moves out. It also allows you to check it manually while firing at night.

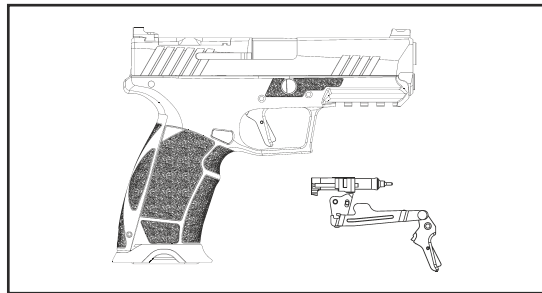
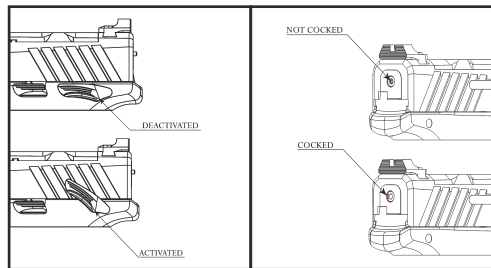




Your TISAS ZIGANA PX-9 GEN3 firearm is equipped with a thumb safety (optional) which can be operated by right and left handed users (ambidextrous). The thumb safety is activated by pressing the lever upward. When it is activated, the firing mechanism is blocked and the firearm does not fire. The thumb safety can be activated if the firearm is cocked or not cocked.

Your TISAS firearm is equipped with firing pin block. The firing pin block prevents the firing pin from moving forward unless the trigger is depressed.

Your TISAS firearm has a cocking indicator in the rear of the slide. When the firearm is cocked, the pin protrudes out of the rear of the slide.



⚠ ATTENTION

The cocking indicator does not always mean that the firearm is loaded. However, when the pin is out, treat as if it is loaded.

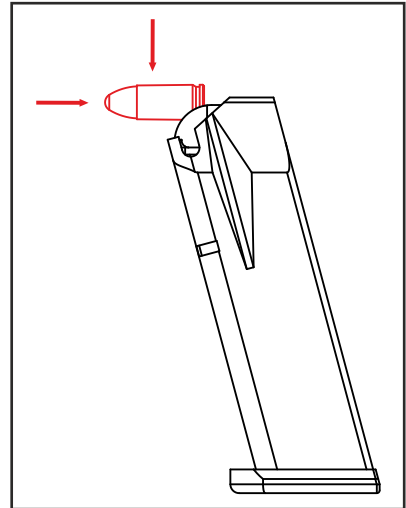
LOADING

After making sure that your pistol is clean, and that the ammunition is clean, dry and of the correct caliber and type, hold the magazine with one hand and insert ammunition cartridges into the magazine with the other hand until the magazine is fully loaded.

Insert the magazine into the pistol, then retract the slide and release it. At this point, the chamber is loaded and your pistol is ready to fire.

ATTENTION

Always keep your finger off the trigger while loading your firearm, and always point the barrel in a safe direction.

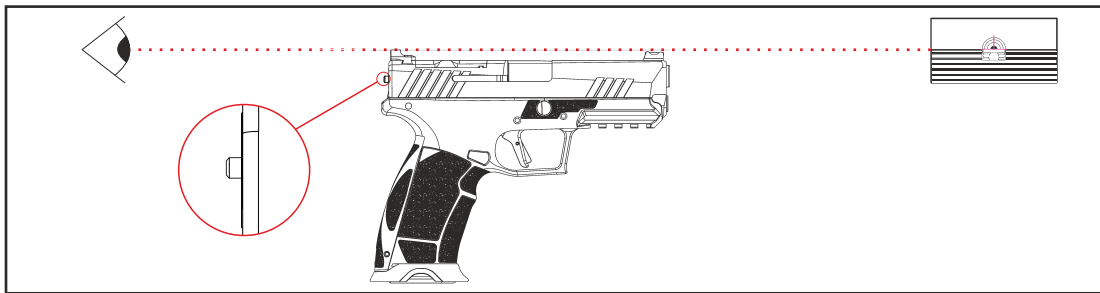




FIRING

- * Grip your firearm firmly.
- * Point the firearm at your intended target and assume a proper shooting stance.
- * Aim the firearm precisely at your intended point of impact within the larger target.
- * When you are ready to fire, place your finger on the trigger and lightly squeeze the trigger. The firearm will fire one cartridge, and then ready itself to fire a subsequent cartridge.

Squeeze the trigger again to fire this subsequent cartridge, and repeat this procedure until you wish to stop firing or until you run out of ammunition, at which point the slide will lock in its retracted position.



⚠ IMPORTANT

If you are untrained or inexperienced, and have a misfire, a malfunction, or in the event the firearm stops firing before the magazine is empty, unload the firearm and utilize the assistance of a qualified firearms instructor before attempting to operate your Tisas firearm.

UNLOADING

When the last cartridge in the magazine is fired, the slide locks in its retracted position.

To re-place the slide:

- * Point the barrel in a safe direction.
- * Remove the magazine by pressing the magazine release button.
- * While the slide is in retracted position set back, visually inspect the chamber to make sure it is empty.
- * By pressing down on the slide stop or pulling the slide slightly backwards, release the slide from the slide stop and slowly release it forward.

If you want to unload the cartridges in the magazine before it runs out, while the slide is in the forward position or the firing pin in the cocked position:

- * Point the barrel in a safe direction and keep your finger away from the trigger.
- * Remove the magazine by pressing the magazine release button.
- * Pull the slide back again and ensure that ammunition comes out of the chamber.
- * Slowly release the slide to its forward position.

ATTENTION

Never touch the trigger when loading or unloading the firearm. To ensure the chamber is empty, remove the magazine and then visually inspect the chamber by pulling the slide backwards.



TROUBLESHOOTING

IMPORTANT

To ensure your gun is unloaded, point the barrel in a safe direction, remove the magazine and then visually inspect the barrel chamber by pulling back the slide.

Slide will not lock forward in to battery:

- * Do not attempt to manually force the slide into battery.
- * Point your barrel in a safe direction.
- * Eject the magazine.
- * Retract the slide to facilitate extraction and ejection of the chambered cartridge.
- * If the cartridge does not extract and eject, lock the slide in its retracted position.
- * Inspect the cartridge and carefully attempt manual extraction/ejection. If the cartridge cannot be extracted/ejected, seek the assistance of a qualified armorer or gunsmith.

ATTENTION

If a bullet is in the barrel, never attempt to shoot it out by using another round. This can generate high pressure, damage the pistol and cause serious injury.

Unable to fire due to ammunition:

- * If the slide is not pushed back far enough, the empty cartridge case may not be ejected or the bullet may not be fed.
- * Stop shooting immediately.
- * Discharge your weapon safely. Retract the slide and lock it from behind.

- * Check both the barrel and chamber to determine if there is a malfunction.
- * The low pressure ammunition in the barrel may not have left the barrel, but may have gotten stuck and blocked the barrel. Do not fire the second bullet as soon as you hear the sound of the low-pressure bullet. Therefore, point your gun in a safe direction. Visually inspect the inside of the barrel to verify that the bullet has left the barrel. Firing the second cartridge before the bullet leaves the barrel may disable your barrel and weapon, and may also harm the shooter during the shot. Perform this check following the safety rules for discharging the gun.
- * If ammunition is not ejected or cannot be removed, lock the slide in the retracted position.
- * Inspect the cartridge and carefully attempt manual extraction/ejection. If the cartridge cannot be extracted/ejected, seek the assistance of a qualified armorer or gunsmith.

IMPORTANT

If there is an obstruction in the barrel chamber and/or barrel and you continue shooting, this may result in damage to your firearm, physical injuries, and even death to the user and/or third parties. TISAS is absolutely not responsible for any direct and/or indirect damages that may occur due to this and similar wrong and erroneous practices of the users. Additionally, this voids the warranty given to the product.



Troubleshooting other malfunctions:

- * Replace any damaged magazines or ammunition cartridges.
- * Inspect and clean the chamber. Clean the magazine.
- * Clean the thumb safety selector and the cartridge ramp.
- * If after taking these steps your pistol continues to malfunction, obtain assistance from a qualified armorer or gunsmith.

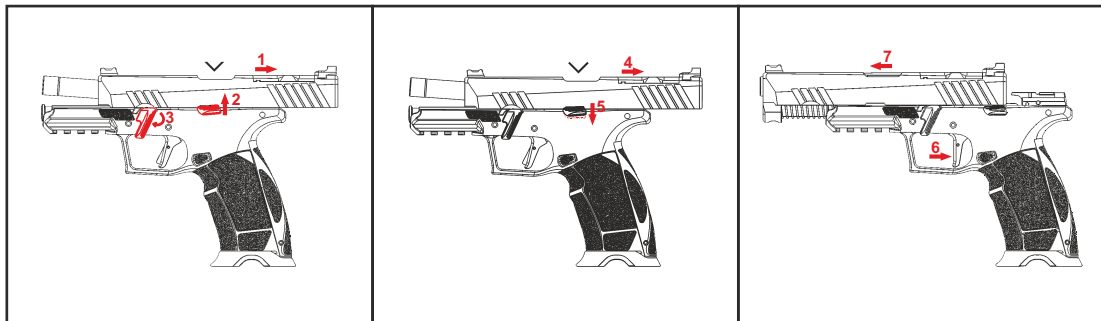
ATTENTION

Carry out all troubleshooting operations in a safe location with the firearm pointed in a safe direction.

DISASSEMBLY AND ASSEMBLY

DISASSEMBLY

- * Point the barrel in a safe direction and remove the magazine.
- * Pull the slide to the rear and visually inspect the chamber to confirm that it is empty.
- * Slightly push the slide backwards and rotate the slide stop up.
- * Rotate the disassembly lever clockwise.
- * Firmly grip the slide, pull it slightly to the rear and allow it to slowly move forward.





- *Pull and release the trigger.
- *Move the slide forward and remove it.

NOTE

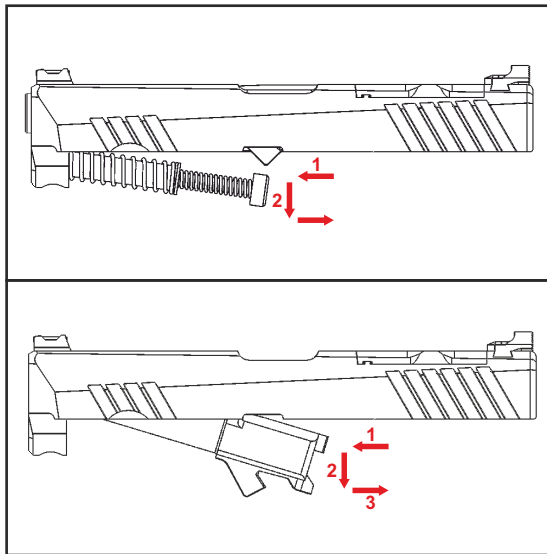
Keep your hand on recoil spring as it is under pressure. If you lose your grip, the spring may eject and could lead to injury.

ASSEMBLY

- *Follow the steps for disassembly in reverse order.
- *Remember to secure your firearm.

⚠ WARNING

Use appropriate personal protective equipment during assembly-disassembly.

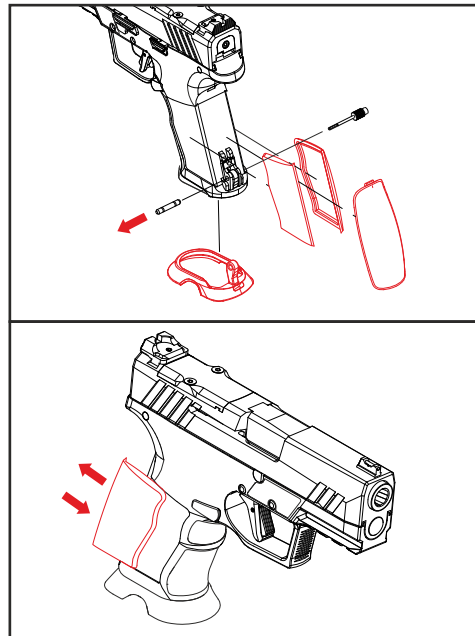


Installation of the back Backstrap and Grip Panels

1. Using a $\varnothing 2.4$ mm pin punch, remove the pin (disassembly punch) holding the backstrap in position. Choose the combination of backstrap and grip panels that provide the panels the most comfortable fit for the operator.
2. Install the two grooves on the inside of each grip panel onto the corresponding tongues located on the outside of the frame and push the panels forward until they seat flush into the frame.
3. Seat the backstrap on to the back of the frame and push upwards until the mounting surface for the disassembly punch on the backstrap aligns with the mounting surface for the disassembly punch on the frame.
4. Drift the disassembly punch into position and capture the backstrap to the frame using the pin punch. Follow the steps for disassembly in reverse order.

Assembly

Follow the steps for disassembly in reverse order.





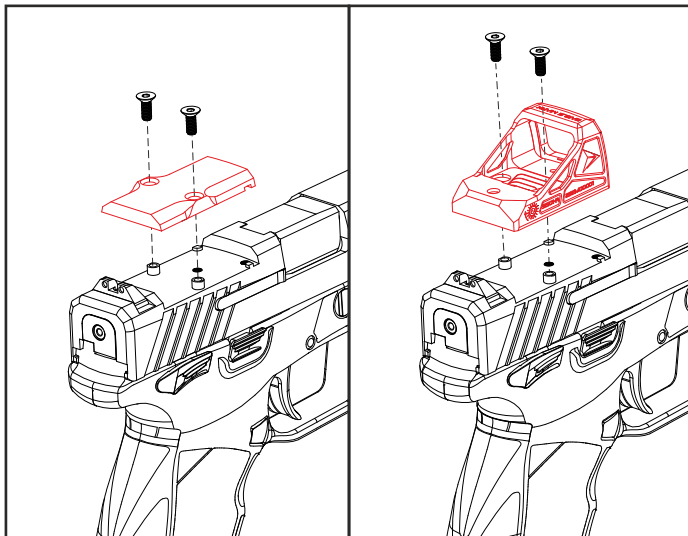
Assemble The Red Dot Sight

Required auxiliary materials: Torque wrench 2 - 10 Nm or screw bit 2 mm.

1. Adjust torque wrench.
2. Loosen screws and remove.
3. Remove slide plate.
4. Insert red dot in slide.
5. Insert screws in the red dot sight.
6. Tighten screws until the torque is reached.

Assembly

Follow the steps for disassembly in reverse order.

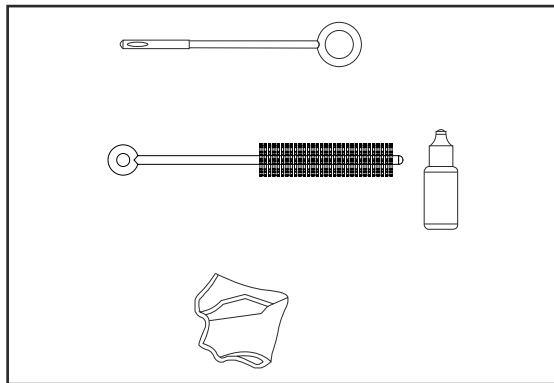


CLEANING AND MAINTENANCE

To ensure that your gun is always ready to fire and has a long life, follow the rules below and maintain it after each shot, whenever you feel it is affected by external factors such as moisture or dust, or once a month.

Materials required for cleaning:

- * Cleaning cloth
- * Gun oil
- * Brush
- * Ramrod

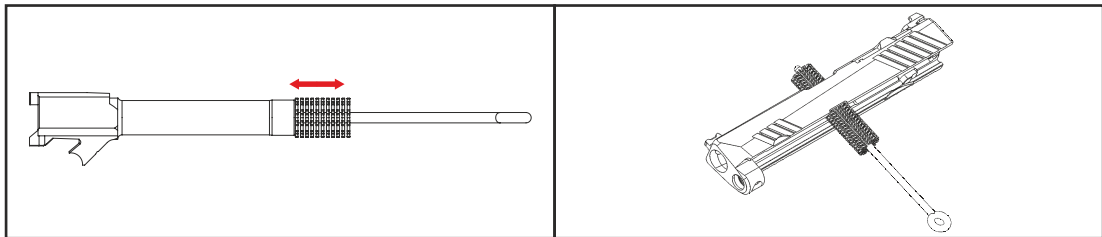


WARNING

Use appropriate personal protective equipment when cleaning and never use solvents.



- * Remove the magazine.
- * Point the barrel in a safe direction and make sure your gun is unloaded.
- * Disassemble the gun.
- * Wipe dirty surfaces, parts, slide channels and the inside of the barrel with cleaning oil using a brush.
- * Do not use a brush from both ends of the barrel, clean only from the end of the chamber.
- * Do not rotate the brush left and right in the barrel, use it linearly.
- * Lightly lubricate all external and internal parts with gun oil.
- * Dry the inside of the barrel with a clean cloth.
- * Dry the outer surfaces of the gun with a clean cloth.
- * Remove excess oil from the internal working parts of the gun.
- * Reassemble the gun.



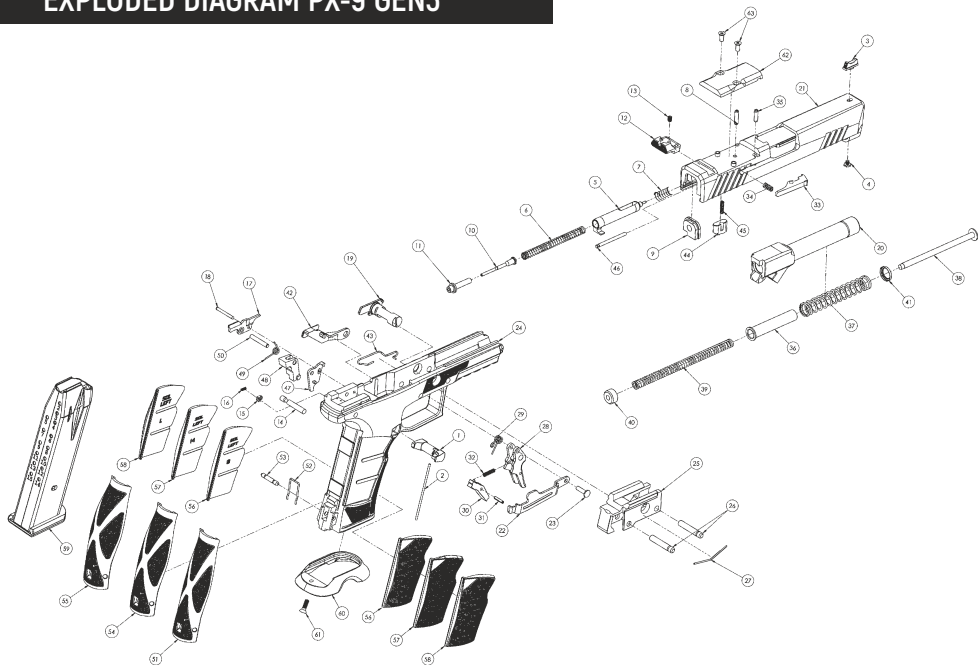
TECHNICAL SPECIFICATIONS

CALIBER	9x19 mm
MAGAZINE CAPACITY	18 or 20 rounds
BARREL LENGTH	DUTY=104.6 mm, DUTY TH= 119.1 mm, TACTICAL TH= 129.7 mm
LENGTH	DUTY=188.9 mm, DUTY TH= 202.1 mm, TACTICAL TH= 212.7 mm
HEIGHT	147.5 mm
WEIGHT	DUTY=793.7 g, DUTY TH=810 g, TACTICAL TH=850 g
WIDTH	34 mm
ACTION TYPE	SA
FIRING SYSTEM	Semi - Auto Striker
SAFETY SYSTEMS	Firing Pin Block, Ambidextrous Thumb Safety
FEATURES	Reversible Magazine Catch, Accessory Rail, Three changeable backstraps and six side panels (ACCOMMODATING ALL HAND SIZES)
OPTIONAL ITEM	IWB Holster, Magazine Loader

PX-9 GEN3 PART LIST

NO.	PART DESCRIPTION	CODE	NO.	PART DESCRIPTION	CODE
1	MAGAZINE CATCH	PX9-1	35	EXTRACTOR PIN	PX9-47.03
2	MAGAZINE CATCH SPRING	PX9-1.01	36	RECOIL SPRING GUIDE CONNECTOR	PX9C-54
3	FRONT SIGHT (FIBER OPTIC)	PX9-3	37	RECOIL SPRING GUIDE CONNECTOR SPRING	PX9C-54.01
4	FRONT SIGHT SCREW	PX9-3.01	38	RECOIL SPRING GUIDE	PX9C-55
5	STRIKER	PX9-11	39	RECOIL SPRING	PX9C-55.01
6	STRIKER SPRING	P9L-11.01	40	RECOIL SPRING GUIDE BUSHING	PX9C-55.02
7	STRIKER DAMPENING SPRING	PX9-11.02	41	RECOIL SPRING BUSHING	PX9C-55.03
8	STRIKER RETAINER PIN	PX9-47.03	42	SLIDE STOP	PX9C-56
9	STRIKER LOCKING PLATE	PX7-13	43	SLIDE STOP SPRING	PX9C-56.01
10	STRIKER STATUS INDICATOR	PX9-15	44	STRIKER SAFETY BLOCK	PX9-67
11	STRIKER SPRING GUIDE	PX9-15.01	45	STRIKER SAFETY BLOCK SPRING	PX9-67.01
12	DRIFT ADJUSTABLE REAR SIGHT	PX9-16	46	STRIKER SAFETY BLOCK PIN	PX9-67.02
13	REAR SIGHT SCREW	BRV-16a	47	STRIKER SAFETY LEVER	PX9-70
14	THUMB SAFETY RELEASE PIN	PX9-17	48	SEAR	PX9-71
15	SAFETY LOCK PLUNGER, LEFT	PX9-18a.02	49	SEAR SPRING	PX9-71.01
16	SAFETY LOCK PLUNGER SPRING LEFT	TK1-18.01	50	SEAR PIN	PX9-71.02
17	EJECTOR	PX9-24	51	BACKSTRAPS (S)	PX9-72
18	EJECTOR PIN	PX9-24.01	52	BACKSTRAPS PIN SPRING	PX9-72.02
19	TAKE-DOWN LEVER	PX9C-28	53	BACKSTRAPS PIN	PX9C-72.03
20	BARREL	PX9C-31	54	BACKSTRAPS (M)	PX9C-73
21	SLIDE	PX9C-32	55	BACKSTRAPS (L)	PX9C-74
22	TRIGGER BAR	PX9-33	56	GRIP PANEL, LEFT AND RIGHT (S)	PX9C-72.01
23	TRIGGER BAR PIN	PX9-33.01	57	GRIP PANEL, LEFT AND RIGHT (M)	PX9-73.01
24	FRAME	PX9C-40	58	GRIP PANEL, LEFT AND RIGHT (L)	PX9C-74.01
25	LOCKING BLOCK	PX9C-40.01	59	MAGAZINE ASSEMBLY	PX9-800
26	LOCKING B. PIN AND TRIGGER PIN	PX9C-40.02	60	MAGWELL	PX9-75
27	LOCKING BLOCK PIN SPRING	PX9C-40.03	61	MAGWELL SCREW	PX9-18.01
28	TACTICAL TRIGGER	PX9-42	62	RMR COVER PLATE	PX9-76
29	TRIGGER SPRING	PX9-42.01	63	RMR COVER PLATE SCREW (X2)	PX9-76.01
30	TRIGGER SAFETY	PX9-42.a		SAFETY LOCKRIGHT (OPTIONAL)	PX9-18
31	TRIGGER SAFETY PIN	PX9-42a.01		SAFETY LOCK PLUNGER, LEFT AND RIGHT(OP.)	PX9-18.02
32	TRIGGER SAFETY SPRING	PX9-42a.02		SAFETY LOCK PLATE, LEFT (OPTIONAL)	PX9-18a
33	EXTRACTOR	PX9-47		SAFETY LOCK PLATE, LEFT (OPTIONAL)	PX9-18a.03
34	EXTRACTOR SPRING	TK-47.01			

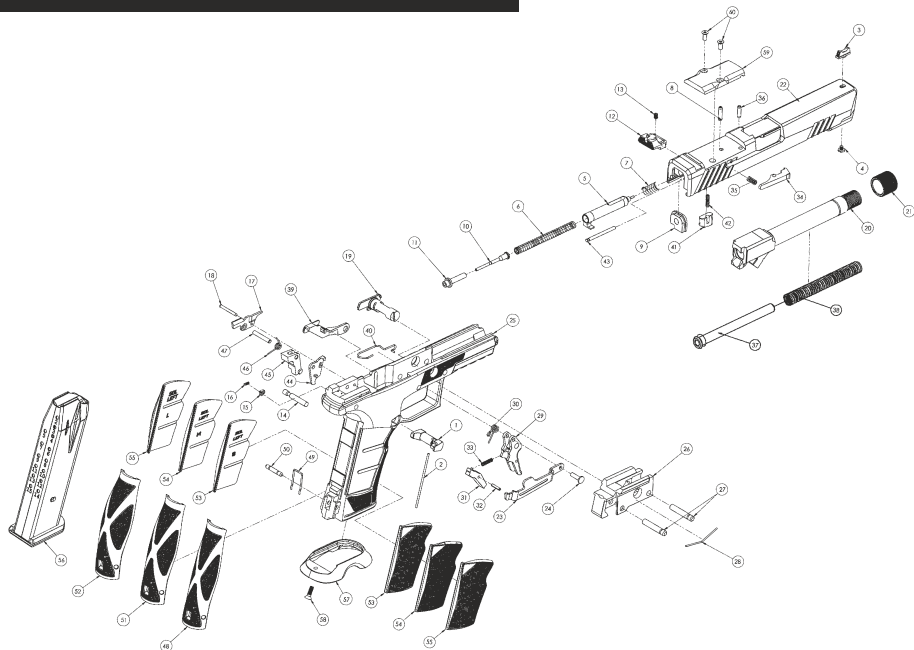
EXPLODED DIAGRAM PX-9 GEN3



PX-9 GEN3 TH PART LIST

NO.	PART DESCRIPTION	CODE	NO.	PART DESCRIPTION	CODE
1	MAGAZINE CATCH	PX9-1	36	EXTRACTOR PIN	PX9-47.03
2	MAGAZINE CATCH SPRING	PX9-1.01	37	RECOIL SPRING GUIDE	P9L-55
3	FRONT SIGHT (FIBER OPTIC)	PX9-3	38	RECOIL SPRING	ZA-55.01
4	FRONT SIGHT SCREW	PX9-3.01	39	SLIDE STOP	PX9-56
5	STRIKER	PX9-11	40	SLIDE STOP SPRING	PX9-56.01
6	STRIKER SPRING	P9L-11.01	41	STRIKER SAFETY BLOCK	PX9-67
7	STRIKER DAMPENING SPRING	PX9-11.02	42	STRIKER SAFETY BLOCK SPRING	PX9-67.01
8	STRIKER RETAINER PIN	PX9-47.03	43	STRIKER SAFETY BLOCK PIN	PX9-67.02
9	STRIKER LOCKING PLATE	PX7-13	44	STRIKER SAFETY LEVER	PX9-70
10	STRIKER STATUS INDICATOR	PX9-15	45	SEAR	PX9-71
11	STRIKER SPRING GUIDE	PX9-15.01	46	SEAR SPRING	PX9-71.01
12	DRIFT ADJUSTABLE REAR SIGHT	PX9-16	47	SEAR PIN	PX9-71.02
13	REAR SIGHT SCREW	BRV-16a	48	BACKSTRAPS (S)	PX9-72
14	THUMB SAFETY RELEASE PIN	PX9-17	49	BACKSTRAPS PIN SPRING	PX9-72.02
15	SAFETY LOCK PLUNGER, LEFT	PX9-18a.02	50	BACKSTRAPS PIN	PX9-72.03
16	SAFETY LOCK P. SPRING LEFT	TK1-18.01	51	BACKSTRAPS (M)	PX9-73
17	EJECTOR	PX9-24	52	BACKSTRAPS (L)	PX9-74
18	EJECTOR PIN	PX9-24.01	53	GRIP PANEL, LEFT AND RIGHT (S)	PX9-72.01
19	TAKE-DOWN LEVER	PX9C-28	54	GRIP PANEL, LEFT AND RIGHT (M)	PX9-73.01
20	BARREL	P9L-31	55	GRIP PANEL, LEFT AND RIGHT (L)	PX9-74.01
21	THREADED BARREL CAP	PX9-31.01	56	MAGAZINE ASSEMBLY	PX9-800
22	SLIDE	P9L-32	57	MAGWELL	PX9-75
23	TRIGGER BAR	PX9-33	58	MAGWELL SCREW	PX9-18.01
24	TRIGGER BAR PIN	PX9-33.01	59	RMR COVER PLATE	PX9-76
25	FRAME	PX9-40	60	RMR COVER PLATE SCREW (x2)	PX9-76.01
26	LOCKING BLOCK	PX9-40.01		SAFETY LOCKRIGHT (OPTIONAL)	PX9-18
27	LOCKING B. PIN AND TRIGGER PIN	PX9-40.02		SAFETY LOCK PLUNGER, LEFT AND RIGHT(OP.)	PX9-18.02
28	LOCKING BLOCK PIN SPRING	PX9-40.03		SAFETY LOCK PLATE, LEFT (OPTIONAL)	PX9-18a
29	TACTICAL TRIGGER	PX9-42		SAFETY LOCK PLATE, LEFT (OPTIONAL)	PX9-18.03
30	TRIGGER SPRING	PX9-42.01			
31	TRIGGER SAFETY	PX9-42.a			
32	TRIGGER SAFETY PIN	PX9-42a.01			
33	TRIGGER SAFETY SPRING	PX9-42a.02			
34	EXTRACTOR	PX9-47			
35	EXTRACTOR SPRING	TK-47.01			

EXPLODED DIAGRAM PX-9 GEN3 TH





WARRANTY

At Tisas, we believe in the quality of our firearms, and we want you to as well.

Age and wear cannot be covered under warranty, as the mechanical parts and materials that make up firearms eventually wear out. However, defective parts, materials, and workmanship are not acceptable, and we will stand behind our products. We warrant our firearms to be free from defects in performance and workmanship for five year from the date of purchase. If you have a problem that is directly attributable to the quality of our product, it's on us to make it right, shipping and handling included. However, if you abuse, improperly maintain, or alter the internal workings of your Tisas firearm in any way, we will not warranty damage that occurs. Likewise, if you use improper or incompatible ammunition or parts, we will not warranty damage that occurs. That includes altering a serial number. If you have a problem with your firearm, please contact Tisas directly at (404) 590-0851 or help@tisasarmsusa.com

RETURN WITHOUT REPAIR

If we receive your firearm and determine that its damage is unwarrantable, we will contact you with an explanation and an estimation of your cost to have us repair or refurbish it. If you would rather we simply return your firearm to you, we will cover the cost of shipping to do so.

FREE REPAIR AND RETURN If your firearm is defective and we determine the defect is warrantied, Tisas will try to repair it. If we repair your firearm, after doing so we will ship it directly back to you, provided you originally shipped it to us from your address. If your firearm cannot be repaired, we will consider replacing it.

LIMITATIONS ON WARRANTY

OUR ONLY RESPONSIBILITY IN THE CASE OF BREACH OF WARRANTY IS REPAIR. TISAS SHALL NOT BE LIABLE FOR ANY OTHER DAMAGES, INCLUDING DIRECT, INDIRECT, OR CONSEQUENTIAL DAMAGES.

PLEASE NOTE: This warranty gives you specific legal rights, and you may also have other rights, which vary from state to state, as some jurisdictions do not allow limitations on certain damages and warranties.

Tisas stands behind the quality of our firearms. While age and wear cannot be covered under warranty, we believe defective parts, materials, and workmanship to be an unacceptable situation. We warrant our firearms to be free from defects in performance and workmanship for one year from the original retail purchase date. If you have a problem that is directly attributable to the quality of our product, we will make it right to include shipping and handling. The Tisas warranty does not cover any issues related to abuse, improper maintenance, the use of incompatible aftermarket parts or any alteration of the internal components. Likewise, damage caused by the use of improper or incompatible ammunition such as reloaded or other non-SAAMI spec ammunition will also void your warranty. Additionally, sales outside of the United States, unauthorized repair, and modifications to the firearm to include altering a serial number, shall not be covered under warranty.

Tisas Lifetime Service Plan

Tisas is committed to supporting our customers with services that are above and beyond what is expected. Beyond our 1-year warranty, our Lifetime Service Plan will repair any defect in material or workmanship for the lifetime of the firearm. The Tisas Lifetime Service Plan will begin after the 1-year warranty has expired. The Lifetime Service Plan covers material defects; and does not include wear items such as cosmetics, grips, magazines, recoil springs or sights. This Lifetime Service Plan is offered in addition to the 1-year warranty and is not an extension of the warranty.

IMPORTANT WARRANTY INFORMATION

Tisas pistols are warranted to function with factory produced, SAAMI spec ammunition and the original factory magazine. The use of handloads will void your warranty and the Lifetime Service Plan.

If you do experience a warranty issue, before sending your firearm please contact us at

help@tisasarmsusa.com or via phone (404) 590-0851 for a Return Merchandise Authorization number, No firearms will be accepted without pre-approval and completion of this Return Merchandise Authorization.



NOTES

A series of ten horizontal dotted lines spanning the width of the page, intended for writing notes.

NOTES

.....

.....

.....

.....

.....

.....

.....

.....

.....

.....

.....



NOTES

A series of ten horizontal dotted lines spanning the width of the page, intended for writing notes.



UPDATED - 2026/03
© ALL RIGHTS RESERVED



2410 Satellite Blvd. NE, suite D Buford, GA 30518
(404) 590-0851