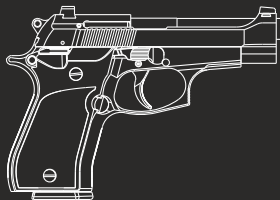


# Tisas®

[www.tisasarmsusa.com](http://www.tisasarmsusa.com)



USER MANUAL HANDLING & SAFETY INSTRUCTIONS

US

FATH13

**READ THE INSTRUCTIONS AND WARNINGS IN THIS MANUAL CAREFULLY BEFORE USING THIS FIREARM;  
DO NOT DISCARD THIS MANUAL.**





## WARNING

Please read this user manual carefully before using the firearm.

Do not use this firearm until you fully understand all of the safety instructions and handling procedures.

## NOTE

Should you require further information, please call a Tisas representative at (404) 590-0851



## INDEX

GENERAL WARNINGS	4
BEFORE USING YOUR FIREARM	7
MAJOR COMPONENTS	9
OVERVIEW OF THE SAFETY MECHANISMS	10
LOADING	11
FIRING	12
UNLOADING	13
DECOCKING THE HAMMER	14
TROUBLESHOOTING	17
DISASSEMBLY & ASSEMBLY	21
CLEANING AND MAINTENANCE	21
TECHNICAL SPECIFICATIONS	23
EXPLODED DIAGRAM	24
PARTS LIST	25
WARRANTY	26

## GENERAL WARNINGS

- \*Read this user manual carefully before using the product.
- \*Do not use any firearm before reading the safety rules and maintenance instructions.
- \*Obey the laws in your country referring to firearms purchasing, carrying and use.

All firearms are dangerous. Tisas is not responsible for any damage that results from the improper use of your firearm.

## ESSENTIAL FIREARM SAFETY GUIDELINES

These firearm safety guidelines have been prepared by Tisas, based upon currently available information. They are provided to you as a courtesy and in the interest of furthering safety. These guidelines are not comprehensive, nor do they modify or replace rules, recommendations, standards, or regulations made by legal authorities or manufacturers.

As a responsible firearms manufacturer, Tisas believes that no issue is more important than firearm safety. We urge you to learn and practice the following guidelines and to make them your habit when handling firearms. This will help ensure safe handling of your firearm(s) and help prevent accidents. We also encourage you to complete an approved firearms safety-training course.



## THE 3 CARDINAL FIREARMS SAFETY RULES

### 1. Always treat a firearm as if it is loaded

Even if you know the firearm is unloaded, always assume it is loaded. The first thing you should do when you receive your gun (pointed it in a safe direction) is to pull back the slide set and visually inspect the chamber to determine whether your gun is loaded or not. If you don't know how to do this, don't use your gun. Note that removing the magazine does not guarantee that the firearm is unloaded because there may be a bullet in the chamber.

### 2. Always keep your finger out of the trigger guard and off the trigger until you are ready to shoot your target

Do not place your finger inside the trigger guard until you have placed a firearm's sights on your target and have decided to fire. The best place to rest your finger in the meantime is above the trigger guard along the frame. By waiting until you are aimed at your target, if the trigger were to be pressed, you will guarantee that a shot will travel safely in the direction of your intended target.

### 3. Always point the firearm in a safe direction in front of and around your target

It is important to identify your actual target, but it is just as important to know what lies in front of and behind your target. A safe direction is any direction where an unintentional discharge or miss will not cause injury or damage. In determining a safe direction, remember that a round can ricochet off an object like a floor, water or wall, or go through walls, floors, ceilings, and windows. Whether in a house or outdoors, the safety direction is the muzzle angled down toward the floor. And never point at or cross the muzzle of a firearm (loaded or unloaded ) at any part of any person's body-the laser rule!

## **ADDITIONAL FIREARMS AND AMMUNITION RULES**

### **ALWAYS KEEP CHILDREN AND OTHERS SAFE BY STORING FIREARMS SECURE AND AWAY FROM UNAUTHORIZED PERSONS**

You should always store firearms and ammunition out of the sight and reach of children and anyone else who is not an intended user or not physically or mentally capable of handling and using them properly and safely. Store firearms in a safe storage place - ideally, one you can lock.

### **CAREFULLY READ THE ENTIRE INSTRUCTION MANUAL THAT COMES WITH YOUR FIREARM**

You should only use a firearm if you fully understand how to safely operate it. All firearms come with an instruction manual created by the manufacturer. If the firearm does not come with an instruction manual, contact the manufacturer directly and request one.

### **ALWAYS MAKE SURE YOUR GUN IS OPERATING SAFELY**

Before shooting, make sure the firearm is in good working order, that the barrel is clear, and that the firearm is safe to operate. This is especially important when handling a firearm that has been stored or unused for a long period of time.

### **ALWAYS USE CORRECT AMMUNITION**

Never use improper or, incorrect ammunition. Only use ammunition that is recommended by the firearm manufacturer the caliber of your firearm. Most firearms have the caliber engraved or stamped on the barrel. Your ammunition should have the exact same caliber. Additionally, it voids your warranty.



### **WHEN CLEANING THE FIREARM, MAKE SURE IT IS NOT LOADED**

One of the most common statements following an accidental discharge is: "I was cleaning the firearm and it went off!" When you clean a firearm, make sure it is not loaded. You should keep the ammunition in another room until you have finished cleaning the firearm and are ready to reload.

### **NEVER USE A FIREARM WHILE USING DRUGS OR ALCOHOL**

When you handle firearms, your judgment must not be impaired. You should never handle firearms while under the influence of alcohol, illegal drugs, or while using legal prescription medication that can make you tired or affect your senses, reflexes, or judgment.

### **USE EYE AND EAR PROTECTION**

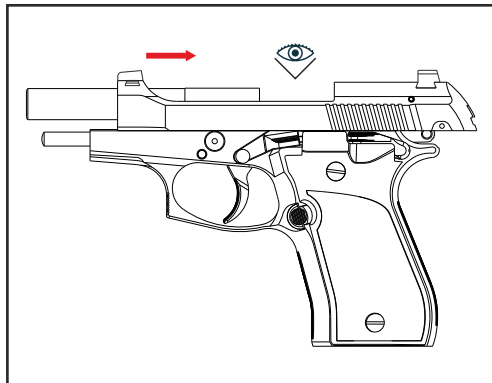
Always wear proper eye and ear protection while shooting firearms, ear protection will help prevent hearing loss from the extreme decibel level of gun fire, and eye protection will help prevent ejection gases, ricocheted objects, casings, or any foreign objects from damaging your eyes. Be smart, be safe.

## BEFORE USING YOUR PISTOL

Your TISAS pistol is semi-automatic, meaning that it is automatically reloaded and ready to fire again after each shot.

Your TISAS pistol can fire even without a magazine inserted. For that reason, ejecting the magazine or inserting an empty magazine does not make your firearm safe. Rather, to ensure your firearm is safe, you must eject the magazine, empty the chamber, and then visually inspect the chamber to ensure no cartridge or other obstruction is present.

Possess, carry and use your pistol in accordance with all relevant local, state, and federal laws. If you purchased this firearm secondhand, have it checked by a qualified armorer or gunsmith to ensure it is safe operate.



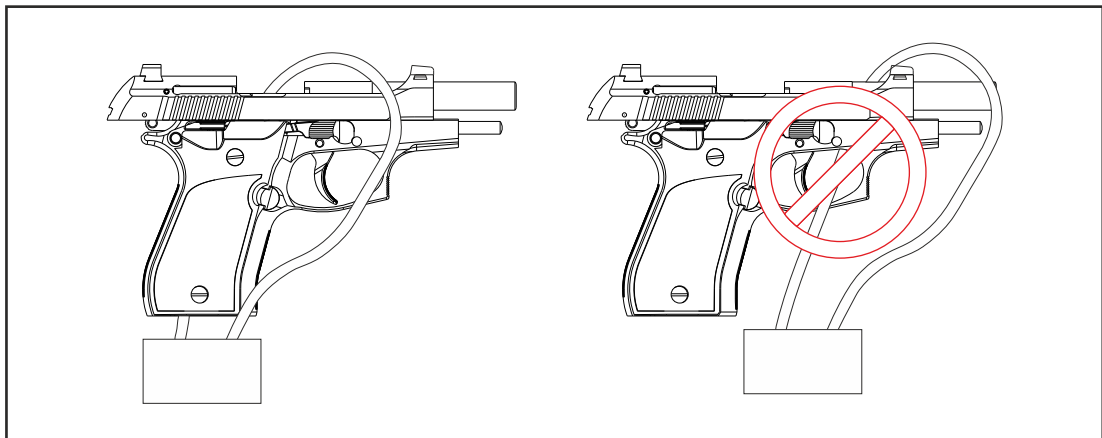
### **⚠ ATTENTION**

Keep your firearm in a safe to operate place where children cannot access it. Always store your firearm unloaded and store the key to the lock separately from the ammunition.

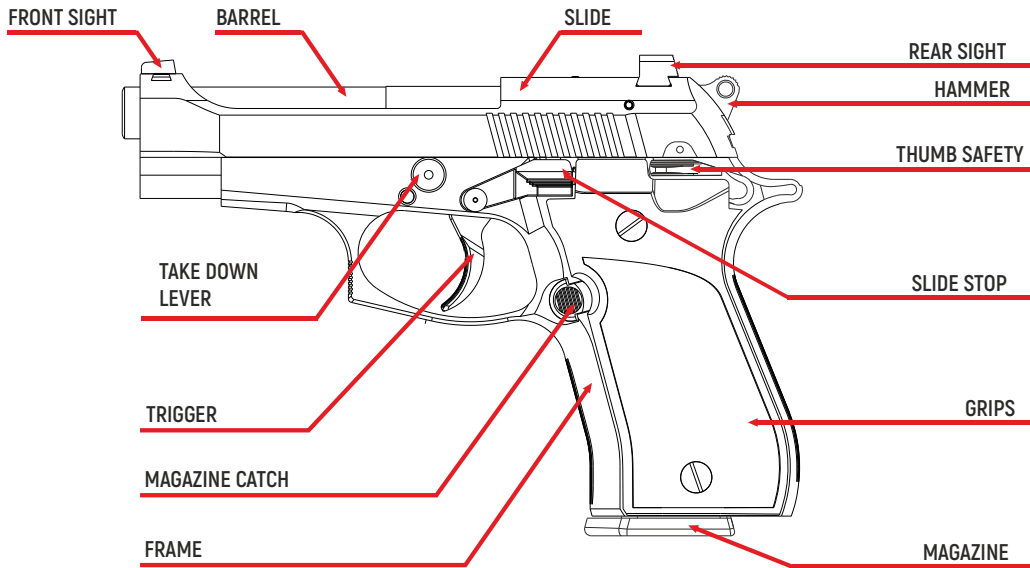


**⚠ IMPORTANT**

When not in use, your firearm should be secured with a lock to prevent unauthorized use. A cable lock, such as shown here must be used to prevent the firearm from locking into battery to prevent use.



## MAJOR COMPONENTS





## OVERVIEW OF SECURITY MECHANISMS

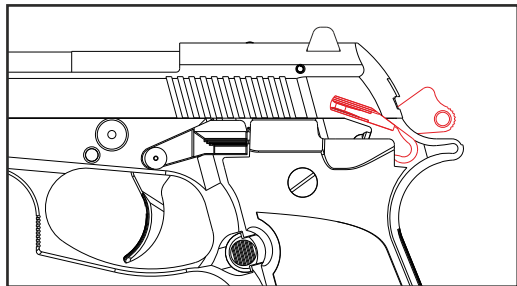
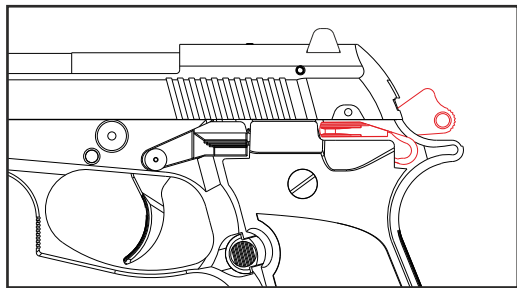
Make sure that your pistol is clean and functional. Use the correct, that is in good condition, in your pistol. Hold your firearm firmly in order not to drop it after shooting. Make sure that the safety is off before shooting (see figure at right). Your pistol is a double action firearm, you can fire the pistol by pulling the trigger even if the is not hammer is not cocked.

### CAUTION

Even if the safety catch is open, do not point your gun at objects you do not plan to hit. It is the user's responsibility to control and use the gun safely.

### CAUTION

Do not try to lower the hammer when there is a bullet in the chamber. If the hammer slips through your fingers, the pistol will be fired and you might injure yourself and others.



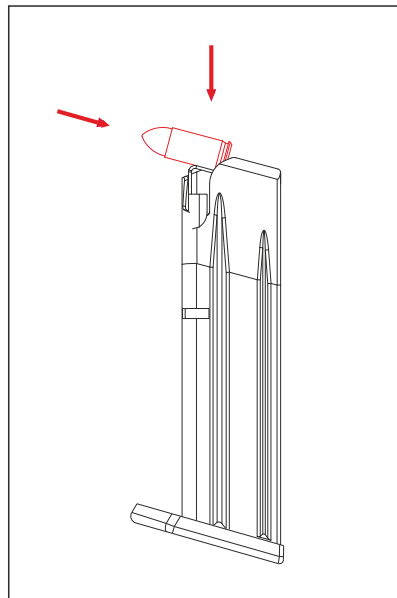
## LOADING

After making sure that your pistol is clean, and that the ammunition is clean, dry and of the correct caliber and type, hold the magazine with one hand and insert ammunition cartridges into the magazine with the other hand until the magazine is fully loaded.

Insert the magazine into the pistol, then retract the slide and release it. At this point, the chamber is loaded and your pistol is ready to fire.

### ATTENTION

Always keep your finger off the trigger while loading your firearm, and always point the barrel in a safe direction.





## FIRING

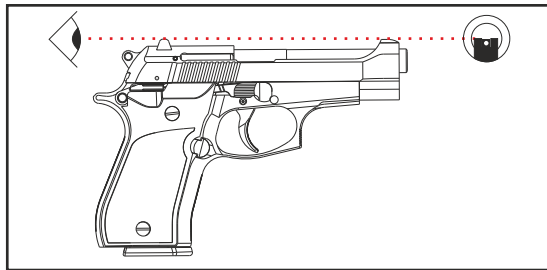
- \*Aim your gun at your intended target and take the appropriate shooting position.
- \*Fix the gun exactly at the target point, at front sight level.
- \*When you are ready to shoot, place your finger on the trigger and pull the trigger slowly. The gun will fire that cartridge and then be ready to fire the next cartridge.
- \*To fire the next cartridge, pull the trigger again and repeat this process until you want to stop firing or until the ammunition runs out.
- \*When the ammunition runs out, the slide mechanism will be locked in the retracted position.

### **⚠ WARNING**

If you are untrained or inexperienced, and have a misfire, a malfunction, or in the event the pistol stops firing before the magazine is empty, unload the pistol and utilize the assistance of a qualified firearms instructor before attempting to operate your Tisas pistol.

### **⚠ ATTENTION**

Do not utilize a grip that places your non-shooting hand in back of the slide. The slide's movement will cause injury and a malfunction.



## UNLOADING

When the last cartridge in the magazine is fired, the slide locks in its retracted position.

### To re-place the slide:

- \* Point the barrel in a safe direction.
- \* Remove the magazine by pressing the magazine release button.
- \* While the slide is in retracted position set back, visually inspect the chamber to make sure it is empty.
- \* By pressing down on the slide stop or pulling the slide slightly backwards, release the slide from the slide stop and slowly release it forward.

If you want to unload the cartridges in the magazine before it runs out, while the slide is in the forward position or the firing pin in the cocked position:

- \* Point the barrel in a safe direction and keep your finger away from the trigger.
- \* Remove the magazine by pressing the magazine release button.
- \* Pull the slide back again and ensure that ammunition comes out of the chamber.
- \* Slowly release the slide to its forward position.

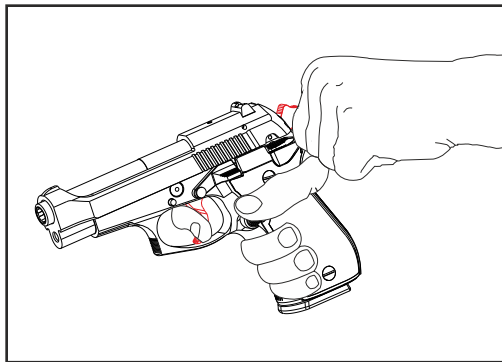
### ATTENTION

To ensure the chamber is empty, remove the magazine and then visually inspect the chamber by pulling the slide backwards.



## DECOCKING THE HAMMER

- \*Point the barrel in a safe direction and make sure your gun is unloaded.
- \*Grip the pistol firmly with your dominant hand as if preparing to fire.
- \*Grasp the hammer between the thumb and index finger of your other hand.
- \*Squeeze the trigger and slowly allow the hammer to fall until the hammer safety is engaged. Do not release the hammer until the hammer fits into its half-cocked position.



### **⚠ ATTENTION**

Always store and carry your pistol with its chamber empty and its hammer safety engaged. When your pistol is loaded, do not try to release the hammer, as doing so may fire your pistol and cause injury or death to yourself or others.

## TROUBLESHOOTING

### IMPORTANT

To ensure your gun is unloaded, point the barrel in a safe direction, remove the magazine and then visually inspect the barrel chamber by pulling back the slide.

Slide will not lock forward in to battery:

- \* Do not attempt to manually force the slide into battery.
- \* Point your barrel in a safe direction.
- \* Eject the magazine.
- \* Retract the slide to facilitate extraction and ejection of the chambered cartridge.
- \* If the cartridge does not extract and eject, lock the slide in its retracted position.
- \* Inspect the cartridge and carefully attempt manual extraction/ejection. If the cartridge cannot be extracted/ejected, seek the assistance of a qualified armorer or gunsmith.

### ATTENTION

If a bullet is in the barrel, never attempt to shoot it out by using another round. This can generate high pressure, damage the pistol and cause serious injury.



### Unable to fire due to ammunition:

- \* If the slide is not pushed back far enough, the empty cartridge case may not be ejected or the bullet may not be fed.
- \* Stop shooting immediately.
- \* Discharge your weapon safely. Retract the slide and lock it from behind.
  
- \* Check both the barrel and chamber to determine if there is a malfunction.
- \* The low pressure ammunition in the barrel may not have left the barrel, but may have gotten stuck and blocked the barrel. Do not fire the second bullet as soon as you hear the sound of the low-pressure bullet. Therefore, point your gun in a safe direction. Visually inspect the inside of the barrel to verify that the bullet has left the barrel. Firing the second cartridge before the bullet leaves the barrel may disable your barrel and weapon, and may also harm the shooter during the shot. Perform this check following the safety rules for discharging the gun.
- \* If ammunition is not ejected or cannot be removed, lock the slide in the retracted position.
- \* Inspect the cartridge and carefully attempt manual extraction/ejection. If the cartridge cannot be extracted/ejected, seek the assistance of a qualified armorer or gunsmith.

### IMPORTANT

If there is an obstruction in the barrel chamber and/or barrel and you continue shooting, this may result in damage to your firearm, physical injuries, and even death to the user and/or third parties. TISAS is absolutely not responsible for any direct and/or indirect damages that may occur due to this and similar wrong and erroneous practices of the users. Additionally, this voids the warranty given to the product.

**Troubleshooting other malfunctions:**

- \* Replace any damaged magazines or ammunition cartridges.
- \* Inspect and clean the chamber. Clean the magazine.
- \* Clean the thumb safety selector and the cartridge ramp.
- \* If after taking these steps your pistol continues to malfunction, obtain assistance from a qualified armorer or gunsmith.

** ATTENTION**

Carry out all troubleshooting operations in a safe location with the firearm pointed in a safe direction.



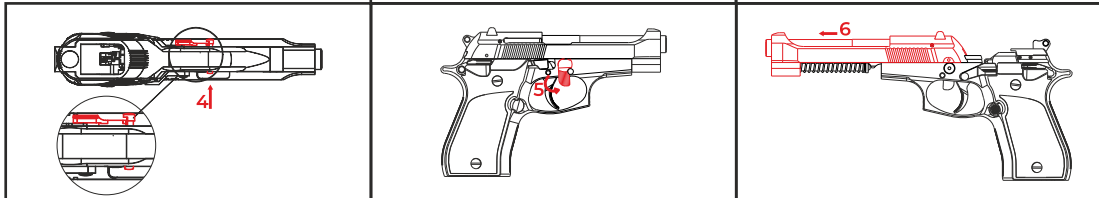
## DISASSEMBLY AND ASSEMBLY

### DISASSEMBLY

- \*Point your pistol in a safe direction and keep your finger away from the trigger.
- \*Remove the magazine, pull back the slide to ensure the chamber is empty, and visually inspect the chamber.
- \*Press the disassembly button on the right side of the pistol and rotate the barrel lock 90° counterclockwise. The barrel will be unlocked.
- \*Remove the slide by pushing it.

### NOTE

Keep your hand on the recoil spring as it is under pressure. If you lose your grip, the spring may eject and could lead to injury.

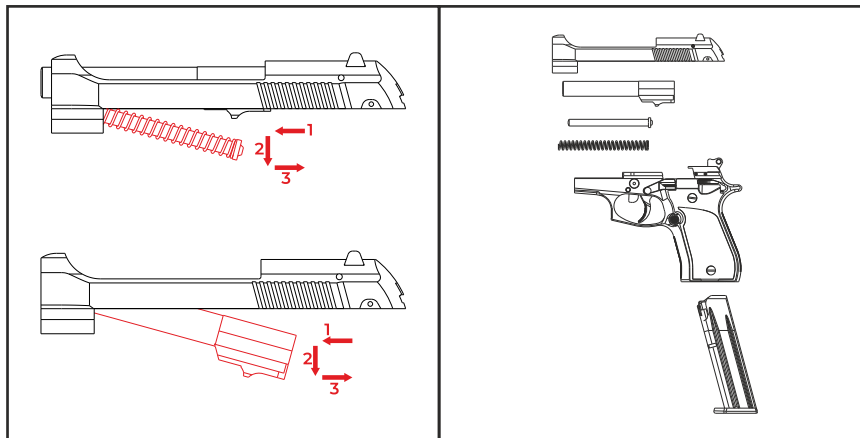


\*The recoil spring assembly is pressed in a way that overcomes the force of the spring. Remove the recoil spring assembly from its housing in a controlled manner.

\*Remove the barrel from the correct slide by pulling forward and down.

### ⚠ ATTENTION

Keep your hand on the recoil spring as it is under pressure. If you lose your grip, the bow may fly off and cause injury.



- \* Slide
- \* Barrel
- \* Recoil Spring  
And Guide
- \* Frame
- \* Magazine



## Assembly for model

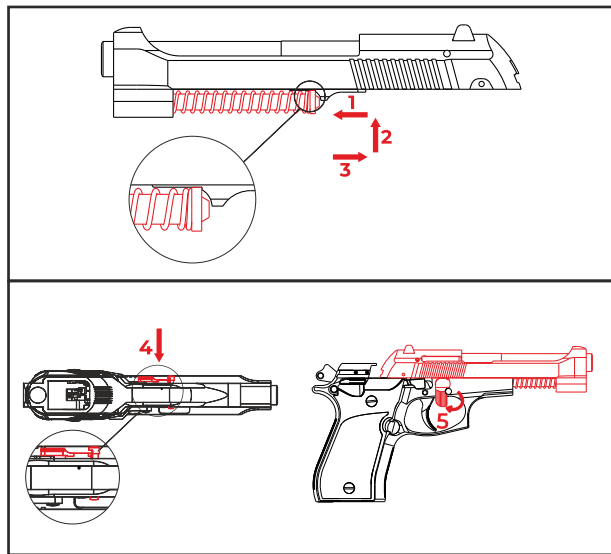
\*Follow the disassembly steps in reverse order.

Things to consider in the process:

\* The barrel is placed in its place in the slide. The recoil spring and recoil spring guide are precisely located in their housing in the barrel extension. Otherwise, it may fly out of the slot and cause injuries.

\* The slide is placed in the appropriate position in the channels on the body, with the safety latch open.

\*After the slide is in place, it is pushed back a little further and fixed with the safety latch.



### **WARNING**

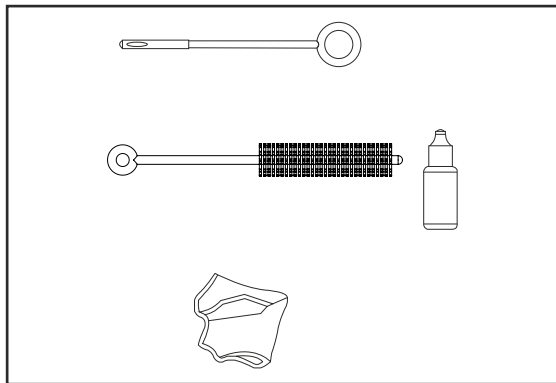
Keep your hand on the recoil spring as it is under pressure. If you lose your grip, the bow may fly off and cause injury.

## CLEANING AND MAINTENANCE

To ensure that your gun is always ready to fire and has a long life, follow the rules below and maintain it after each shot, whenever you feel it is affected by external factors such as moisture or dust, or once a month.

Materials required for cleaning:

- \* Cleaning cloth
- \* Gun oil
- \* Brush
- \* Ramrod

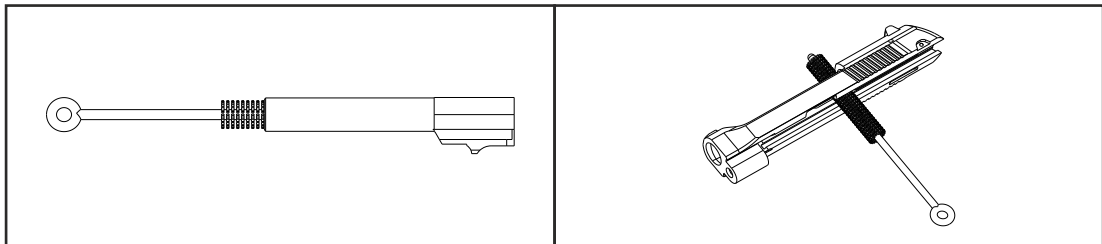


### WARNING

Use appropriate personal protective equipment when cleaning and never use solvents.



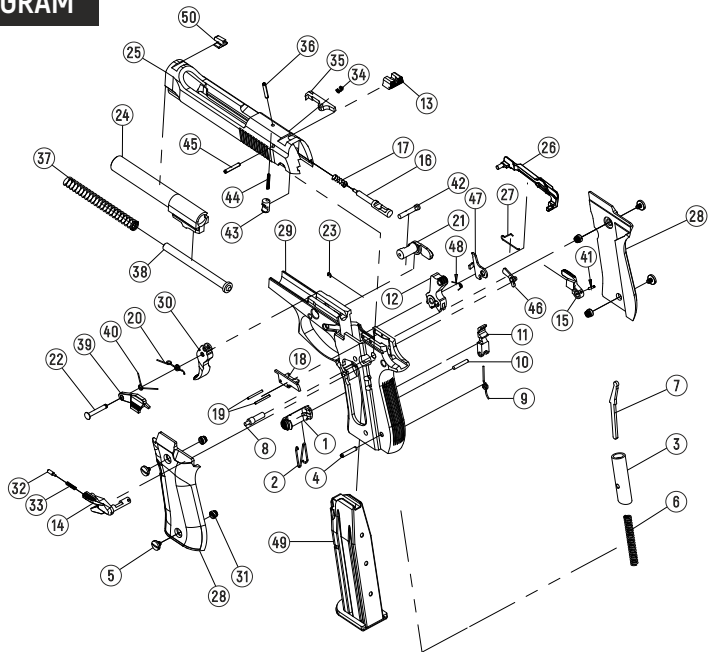
- \* Remove the magazine.
- \* Point the barrel in a safe direction and make sure your gun is unloaded.
- \* Disassemble the firearm.
- \* Remove grips to avoid contact with oil.
- \* Wipe dirty surfaces, parts, cover channels and the inside of the barrel with cleaning oil using a brush.
- \* Do not use a brush from both ends of the barrel, clean only from the end of the chamber.
- \* Do not rotate the brush to the right or left in the barrel, use it linearly.
- \* Lightly lubricate all external parts (except grips) and internal parts with gun oil.
- \* Dry the inside of the barrel with a ramrod.
- \* Dry the exterior surfaces of the firearm with a clean cloth.
- \* Remove excess oil from the firearm's internal working parts.
- \* Reassemble the firearm.



**TECHNICAL SPECIFICATIONS**

<b>CALIBER</b>	.380ACP
<b>MAGAZINE CAPACITY</b>	12 Rounds
<b>BARREL LENGTH</b>	3.93"
<b>LENGTH</b>	6.96"
<b>HEIGHT</b>	4.85"
<b>WIDTH</b>	1.4"
<b>WEIGHT</b>	1.48 oz.
<b>ACTION TYPE</b>	Double Action
<b>FIRING SYSTEM</b>	Semi Automatic
<b>SAFETY SYSTEM</b>	Firing Pin Block, Ambidextrous Thumb Safety

# EXPLODED DIAGRAM



## PART LIST

<b>NO.</b>	<b>CODE</b>	<b>PART NAME</b>	<b>NO.</b>	<b>CODE</b>	<b>PART NAME</b>
1	T3-1	MAGAZINE CATCH	26	T3-33	TRIGGER BAR
2	T3-1.01	MAGAZINE CATCH SPRING	27	T3-33.01	TRIGGER BAR SPRING
3	T3-2	MAINSRING HOUSING	28	T3-35	GRIP, RIGHT AND LEFT
4	T3-2.01	MAINSRING HOUSING RETAINER PIN	29	T3-40	FRAME
5	TK1-43a	GRIP SCREW	30	T3-42	TRIGGER
6	T3-4	MAINSRING	31	TK1-43	GRIP SCREW BUSHING
7	T3-5	HAMMER STRUT	32	T3-44	SAFETY PIN
8	T3-7	HAMMER & THUMB SAFETY PIN	33	T3-44.01	SAFETY PIN SPRING
9	T3-8	HAMMER PLUNGER SPRING	34	T3-45	EXTRACTOR SPRING
10	T3-9	HAMMER PLUNGER PIN	35	T3-47	EXTRACTOR
11	T3-10	SEAR	36	TK1-47.01	EXTRACTOR PIN
12	T3-11	HAMMER	37	T3-50a	RECOIL SPRING
13	T3-16	BACK SIGHT	38	T3-55	RECOIL SPRING GUIDE
14	T3-18	SAFETY LOCK, LEFT	39	T3-56	SLIDE STOP
15	T3-18a	SAFETY LOCK, RIGHT	40	T3-57	SLIDE STOP SPRING
16	T3-21	FIRING PIN	41	T3-60	THUMB SAFETY PIN, LEFT
17	T3-22	FIRING PIN SPRING	42	T3-62	TAKE-DOWN LEVER PIN
18	T3-24	EJECTOR	43	T3-67	FIRING PIN SAFETY BLOCK
19	T3-24.01	EJECTOR & SEAR SPRING PIN	44	T3-67.01	FIRING PIN SAFETY BLOCK SPRING
20	T3-27	TRIGGER & SLIDE STOP SPRING	45	T3-68	FIRING PIN SAFETY BLOCK
21	T3-28	TAKE-DOWN LEVER	46	T3-690	TRIGGER BAR SUPPORT PIN
22	T3-29	SLIDE STOP AND TRIGGER PIN	47	T3-70	FIRING PIN SAFETY LEVER
23	T3-29.01	RETAINING RING	48	T3-70.01	FIRING PIN SAFETY LEVER SPRING
24	T3-31	BARREL	49	T3-36	MAGAZINE ASSEMBLY
25	T3-32	SLIDE	50	T3-3	FRONT SIGHT



## WARRANTY

At Tisas, we believe in the quality of our firearms, and we want you to as well.

Age and wear cannot be covered under warranty, as the mechanical parts and materials that make up firearms eventually wear out. However, defective parts, materials, and workmanship are not acceptable, and we will stand behind our products. We warrant our firearms to be free from defects in performance and workmanship for five year from the date of purchase. If you have a problem that is directly attributable to the quality of our product, it's on us to make it right, shipping and handling included.

However, if you abuse, improperly maintain, or alter the internal workings of your Tisas firearm in any way, we will not warranty damage that occurs. Likewise, if you use improper or incompatible ammunition or parts, we will not warranty damage that occurs. That includes altering a serial number.

If you have a problem with your firearm, please contact Tisas directly at (404) 590-0851 or [help@tisarmsusa.com](mailto:help@tisarmsusa.com)

### **RETURN WITHOUT REPAIR**

If we receive your firearm and determine that its damage is unwarrantable, we will contact you with an explanation and an estimation of your cost to have us repair or refurbish it. If you would rather we simply return your firearm to you, we will cover the cost of shipping to do so.

**FREE REPAIR AND RETURN** If your firearm is defective and we determine the defect is warrantied, Tisas will try to repair it. If we repair your firearm, after doing so we will ship it directly back to you, provided you originally shipped it to us from your address. If your firearm cannot be repaired, we will consider replacing it.

### **LIMITATIONS ON WARRANTY**

OUR ONLY RESPONSIBILITY IN THE CASE OF BREACH OF WARRANTY IS REPAIR. TISAS SHALL NOT BE LIABLE FOR ANY OTHER DAMAGES, INCLUDING DIRECT, INDIRECT, OR CONSEQUENTIAL DAMAGES.

PLEASE NOTE: This warranty gives you specific legal rights, and you may also have other rights, which vary from state to state, as some jurisdictions do not allow limitations on certain damages and warranties.

Tisas stands behind the quality of our firearms. While age and wear cannot be covered under warranty, we believe defective parts, materials, and workmanship to be an unacceptable situation. We warrant our firearms to be free from defects in performance and workmanship for one year from the original retail purchase date. If you have a problem that is directly attributable to the quality of our product, we will make it right to include shipping and handling. The Tisas warranty does not cover any issues related to abuse, improper maintenance, the use of incompatible aftermarket parts or any alteration of the internal components. Likewise, damage caused by the use of improper or incompatible ammunition such as reloaded or other non-SAAMI spec ammunition will also void your warranty. Additionally, sales outside of the United States, unauthorized repair, and modifications to the firearm to include altering a serial number, shall not be covered under warranty.

#### **Tisas Lifetime Service Plan**

Tisas is committed to supporting our customers with services that are above and beyond what is expected. Beyond our 1-year warranty, our Lifetime Service Plan will repair any defect in material or workmanship for the lifetime of the firearm. The Tisas Lifetime Service Plan will begin after the 1-year warranty has expired. The Lifetime Service Plan covers material defects; and does not include wear items such as cosmetics, grips, magazines, recoil springs or sights. This Lifetime Service Plan is offered in addition to the 1-year warranty and is not an extension of the warranty.

#### **IMPORTANT WARRANTY INFORMATION**

Tisas pistols are warranted to function with factory produced, SAAMI spec ammunition and the original factory magazine. The use of handloads will void your warranty and the Lifetime Service Plan.

If you do experience a warranty issue, before sending your firearm please contact us at

[help@tisasarmsusa.com](mailto:help@tisasarmsusa.com) or via phone (404) 590-0851 for a Return Merchandise Authorization number, No firearms will be accepted without pre-approval and completion of this Return Merchandise Authorization.



## NOTES

A series of ten horizontal dotted lines spanning the width of the page, intended for writing notes.



UPDATED - 2026/02

© ALL RIGHTS RESERVED



2410 Satellite Blvd. NE, suite D Buford, GA 30518  
(404) 590-0851